

## SMT850/940

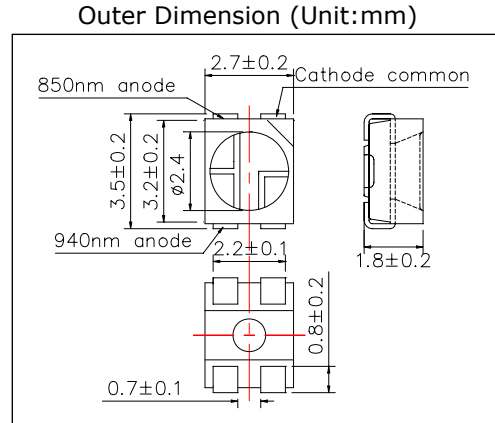
### High Performance Bi-Color TOP LED

SMT850/940 consists of DDH AlGaAs and GaAs LEDs mounted on the lead frame as TOP LED package and is sealed with epoxy resin.

It emits a spectral band of radiation at 850 and 940nm at anode common.

<Specifications>

1. Product Name: Bi-Color TOP LED
2. Type Number: SMT850/940
3. Chip:
  - Chip Material: AlGaAs/GaAs
  - Peak Wavelength: 850,940nm
4. Package
  - Lead Frame Die: Silver Plated
  - Package Resin: PPA Resin
  - Lens: Epoxy Resin



Absolute Maximum Ratings [Ta=25°C]				
Item	Symbol	Maximum Rated Value		Unit
		850nm	940nm	
Power Dissipation	PD	160	80	mW
Forward Current	IF	50	50	mA
Pulse Forward Current	IFP	500	500	mW
Reverse Voltage	VR	5		V
Operating Temperature	TOPR	-20 ~ +80		°C
Storage Temperature	TSTG	-30 ~ +80		°C
Soldering Temperature*	TSOL	240		°C

\* Soldering condition must be completed within 3 second at 230 °C.

Electro-Optical Characteristics [Ta=25°C]									
Item	Symbol	Condition	Minimum		Typical		Maximum		Unit
			850	940	850	940	850	940	
Forward Voltage	VF	IF=50mA			1.5	1.3	1.6	1.4	V
Reverse Current	IR	VR=5V					10		uA
Total Radiated Power*	PO	IF=50mA	10	5	18	10			mW
Radiant Intensity	IE	IF=50mA			10	4			mW/sr
Peak wavelength	λP	IF=50mA	840	930	850	940	860	960	nm
Half Width	Δλ	IF=50mA			40	50			nm
Viewing Half Angle	θ1/2	IF=50mA			±55				deg

\* Measured by Photodyne #500

