

L405-66-16100-110
Flat Lens Type UV Light Illuminator

L405-66-16100-110 is composed of 1mmx1mm high current drive InGaN die by 16pcs and mounted on a meta stem TO-66 and covered with flat glass cap. It is designed for extremely high output power illuminator assembled.

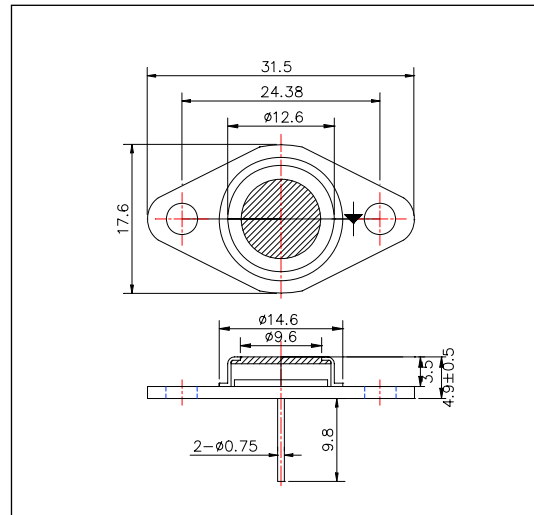
<Features>

- High Reliability
- Compact(TO-66) Package
- High Output Power at 405nm

<Specifications>

1. Product Name: UV Light Illuminator
2. Type Number: L405-66-16100-110
3. Chip:
 - Chip material: InGaN
 - Peak Wavelength: 405nm typ.
4. Package
 - Type: TO-66 Stem
 - Lens: Flat Glass Cap

Outer Dimension (Unit:mm)



Absolute Maximum Ratings[Ta=25°C]			
Item	Symbol	Maximum Rated Value	Unit
Power Dissipation	PD	25	W
Forward Current	IF	1500	mA
Reverse Voltage	VR	30	V
Operating Temperature	TOPR	-30 ~ +80	°C
Storage Temperature	TSTG	-30 ~+100	°C
Soldering Temperature*	TSOL	265	°C

* Soldering condition must be completed within 3 second at 265 °C.

Electro-Optical Characteristics						
Item	Symbol	Condition	Minimum	Typical	Maximum	Unit
Forward Voltage	VF	IF=1A		13.8		V
Total Radiated Power*	PO	IF=1A		1.5		mW
Brightness**	IV	IF=1A		240		mcd
Radiant Intensity***	IE	IF=1A		320		mW/sr
Reverse Current	VR	IR=10uA	30			V
Peak Wavelength	λP	IF=100mA	395	405	415	nm
Half Width	Δλ	IF=100mA		15		nm
Viewing Half Angle	θ1/2	IF=100mA		±60		deg

* Measured by S3584-08

** Measured by Tektronix J-16

*** Measured by Ando Optical Multi Meter AQ2140&AQ2741



Heat sink is required thermal resistance <8K/W