

L385-66-30100-110
UV Light Illuminator

L385-66-30100-110 emits high density beam such 385nm and 3.7W from 42mm square emitting area. It is consisted by 385nm 30pcs at 6mmx7mm area and covered with flat glass cap.

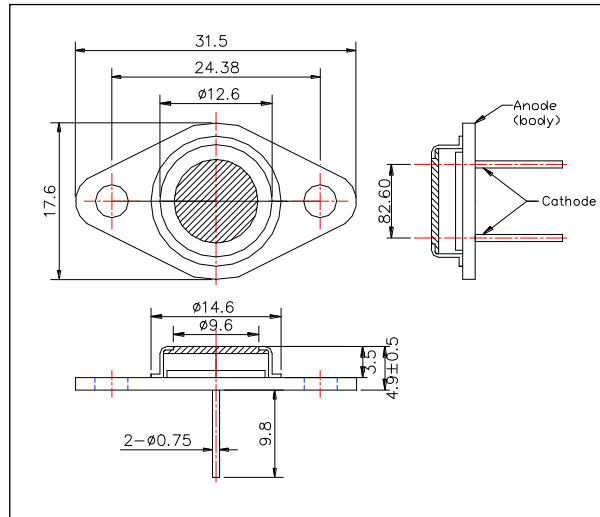
<Features>

- High Density Beam
- 6mmx7mm of emitting area
- Compact (TO-66) Package

<Specifications>

1. Product Name: UV Light Illuminator
2. Type Number: L385-66-30100-110
3. Chip:
 - Chip material: InGaN
 - Number: 30 pcs of 1mm Sq. Die
 - Peak Wavelength: 385nm typ.
4. Package
 - Type: TO-66 Stem
 - Lens: Flat Glass Cap

Outer Dimension (Unit:mm)



Absolute Maximum Ratings[Ta=25°C]			
Item	Symbol	Maximum Rated Value	Unit
Power Dissipation	PD	59	W
Forward Current	IF	15	A
Operating Temperature	TOPR	-30 ~ +120	°C
Storage Temperature	TSTG	-30 ~ +120	°C
Soldering Temperature*	TSOL	265	°C

* Soldering condition must be completed within 3 second at 265 °C.

Electro-Optical Characteristics [Ta=25°C]						
Item	Symbol	Condition	Minimum	Typical	Maximum	Unit
Forward Voltage	VF	IF=12A		3.8		V
		IF=15A		3.9		
Radiated Power*	PO	IF=12A		3100		mW
		IF=15A		3700		
Peak Wavelength	λP	IF=1A		385		nm
Half Width	Δλ	IF=1A		17		nm
Viewing Half Angle	θ1/2	IF=1A		±55		deg

* Measured by S3584-08

