

L1600-35K32

Stem Type LED with High Output Power

L1600-35K32 is an InGaAsP LED mounted on a TO-18 stem with a spherical glass lens. On forward bias, it emits a spectral band of radiation which peaks at 1600nm.

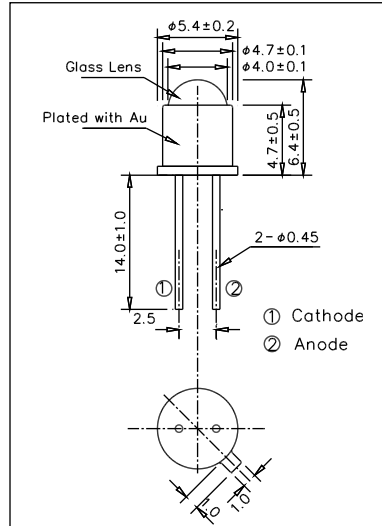
<Features>

- Wide Emitted Angle
- High Power
- High Reliability

<Specifications>

1. Product Name: InGaAsP Infrared LED Lamp
2. Type Number: L1600-35K32
3. Chip:
 - Chip material: InGaAs/InP
 - Peak Wavelength: 1600nm typ.
4. Package
 - Type: TO-18 Stem
 - Lens: Spherical Glass Lens
 - Cap: Gold Plated

Outer Dimension (Unit:mm)



| Absolute Maximum Ratings[Ta=25°C] | | | |
|-----------------------------------|--------|---------------------|------|
| Item | Symbol | Maximum Rated Value | Unit |
| Power Dissipation | PD | 120 | mW |
| Forward Current | IF | 100 | mA |
| Pulse Forward Current* | IFP | 1 | A |
| Reverse Voltage | VR | 3 | V |
| Operating Temperature | TOPR | -20 ~ +90 | °C |
| Storage Temperature | TSTG | -30 ~ +100 | °C |
| Soldering Temperature** | TSOL | 260 | °C |

* Duty=1% and Pulse Width=10μs

** Soldering condition must be completed within 3 second at 260 °C. and is allowed in the area within 3mm from the bottom of the lamp.

| Electro-Optical Characteristics [Ta=25°C] | | | | | | |
|---|--------|-----------|---------|---------|---------|-------|
| Item | Symbol | Condition | Minimum | Typical | Maximum | Unit |
| Forward Voltage | VF | IF=20mA | | 0.8 | 1.2 | V |
| Reverse Current | IR | VR=3V | | | 10 | uA |
| Radiated Power | PO | IF=20mA | 0.1 | 0.3 | | mW |
| Radiant Intensity | IE | IF=20mA | | 0.2 | | mW/sr |
| Peak Wavelength | λP | IF=20mA | 1550 | 1600 | 1650 | nm |
| Half Width | Δλ | IF=20mA | | 80 | | nm |
| Viewing Half Angle | θ1/2 | IF=20mA | | ±15 | | deg |
| Rise Time | tr | IF=20mA | | 10 | | ns |
| Fall Time | tf | IF=20mA | | 10 | | ns |

