

L1085-35M00
NIR Stem Type LED

L1085-35M00 is an InGaAsP LED mounted on a TO-18 stem with an epoxy lens. It is designed for high output power and wide viewing angle use. On forward bias, it emits a spectral band of radiation which peaks at 1085nm.

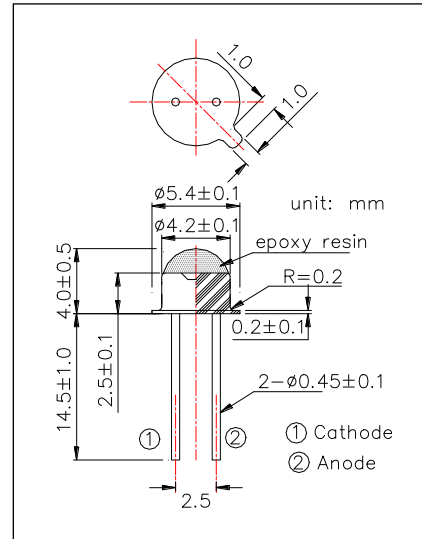
<Features>

- High Radiated Intensity
- Wide Viewing Angle

<Specifications>

1. Product Name: NIR Stem Type LED
2. Type Number: L1085-35M00
3. Chip:
 - Chip material: InGaAs/InP
 - Peak Wavelength: 1085nm typ.
4. Package
 - Type: TO-18 Stem
 - Lens: Epoxy Resin

Outer Dimension (Unit:mm)



Absolute Maximum Ratings[Ta=25°C]			
Item	Symbol	Maximum Rated Value	Unit
Power Dissipation	PD	130	mW
Forward Current	IF	100	mA
Pulse Forward Current*	IFP	500	mA
Reverse Voltage	VR	3	V
Operating Temperature	TOPR	-30 ~ +80	°C
Storage Temperature	TSTG	-30 ~+100	°C
Soldering Temperature**	TSOL	265	°C

* Duty=1% and Pulse Width=10μs

** Soldering condition must be completed within 3 second at 265°C.

Electro-Optical Characteristics [Ta=25°C]						
Item	Symbol	Condition	Minimum	Typical	Maximum	Unit
Forward Voltage	VF	IF=50mA		1.15	1.35	V
Reverse Current	IR	VR=5V			10	uA
Radiated Power*	PO	IF=50mA	4.0	8.0		mW
Radiant Intensity**	IE	IF=50mA		4.0		mW/sr
Peak Wavelength	λP	IF=50mA	1060	1085	1100	nm
Half Width	Δλ	IF=50mA		50		nm
Viewing Half Angle	θ1/2	IF=50mA		±45		deg
Rise Time	tr	IF=50mA		30		ns
Fall Time	tf	IF=50mA		20		ns

* Measured by HPK G8370-85

** Measured by Ando Optical Multi Meter AQ2140&AQ2742

