

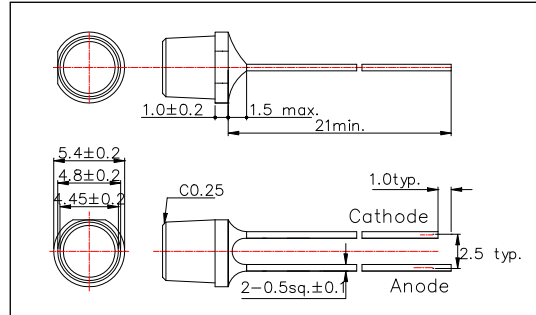
**L1300-05**  
Infrared LED Lamp

L1300-05 is an InGaAsP LED mounted on a lead frame with a clear epoxy lens. On forward bias it emits a spectral band of radiation which peaks at 1300nm.

<Specifications>

1. Product Name: Infrared LED Lamp
2. Type Number: L1300-05
3. Chip:
  - Chip material: InGaAsP
  - Peak Wavelength: 1300nm typ.
4. Package
  - Type: Φ5mm Clear Molding
  - Resin Material: Epoxy Resin
  - Lead Frame: Soldered (Lead Free)

Outer Dimension (Unit:mm)



Absolute Maximum Ratings[Ta=25°C]			
Item	Symbol	Maximum Rated Value	Unit
Power Dissipation	PD	120	mW
Forward Current	IF	100	mA
Pulse Forward Current*	IFP	1000	mA
Reverse Voltage	VR	5	V
Operating Temperature	TOPR	-30 ~ +85	°C
Storage Temperature	TSTG	-30 ~ +100	°C
Soldering Temperature**	TSOL	260	°C

\* Duty=1% and Pulse Width=10us.

\*\* Soldering condition must be completed within 3 second at 260 °C.

Electro-Optical Characteristics [Ta=25°C ]						
Item	Symbol	Condition	Minimum	Typical	Maximum	Unit
Forward Voltage	VF	IF=50mA		1.0	1.4	V
Reverse Current	IR	VR=5V			10	uA
Total Radiated Power*	PO	IF=50mA	0.8	3.0		mW
Peak wavelength	λP	IF=50mA	1250	1300	1350	nm
Half Width	Δλ	IF=50mA		100		nm
Viewing Half Angle	θ1/2	IF=50mA		±55		deg
Rise Time	tr	IF=50mA		10		ns
Fall Time	tf	IF=50mA		10		ns

\* Measured by Ando Optical Multi Meter AQ2140 & AQ2742

