

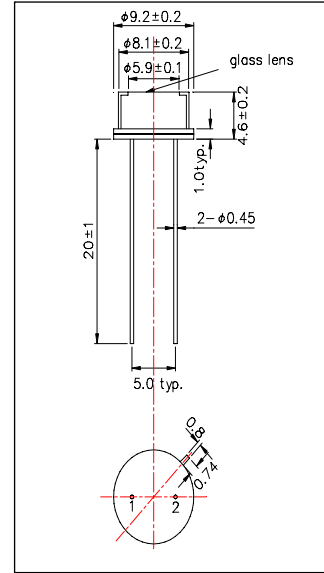
## PD032P96 Hermetical Sealing Type Photodiode

PD032P96 is PIN-Photodiode featuring excellent responsibility and high photocurrent. This PIN-Photodiode consists of a large chip with 2.8x2.8mm active area mounted on the TO-39 stem and is hermetical sealed by metal can with flat lens. These devices are designed to be easy of setting up optically with a wide angle of half sensitivity of  $\pm 50^\circ$ .

**<Specifications>**

1. Product Name: Hermetical Sealing Type Photodiode
2. Type Number: PD032P96
3. Chip:
  - Chip Size: 3.2mm x 3.2mm
  - Active Area: 2.8mm x 2.8mm
4. Package
  - Type: TO-39
  - Lens: Glass Flat Lens
  - Cap: Gold Plated

Outer Dimension (Unit:mm)



Absolute Maximum Ratings [Ta=25°C]			
Item	Symbol	Maximum Rated Value	Unit
Reverse Breakdown Voltage	VR	170	V
Operating Temperature	TOPR	-25 ~ +100	°C
Storage Temperature	TSTG	-30 ~ +125	°C
Soldering Temperature*	TSOL	240	°C

\* Soldering condition must be completed within 2 seconds at 240°C

Electro-Optical Characteristics [Ta=25°C typ.]						
Item	Symbol	Condition	Minimum	Typical	Maximum	Unit
Reverse Photo Current	IL	VR=10V, L=1000Lx		80		uA
Reverse Dark Current	ID	VR=10V		5	30	nA
Open Circuit Voltage	VOC	VR=10V, L=1000Lx		350		mV
Spectral Responsibility(Peak)	$\lambda P$			900		nm
Half Angle of Sensitivity	$\theta_{1/2}$			$\pm 50$		deg
Total Capacitance	CT	VR=10V, f=1MHz		25		pF
Rise/Fall Time(10%~90%)	tr	RL=1k $\Omega$ , VR=10V		50		ns
	tf			50		

