

PD023F00

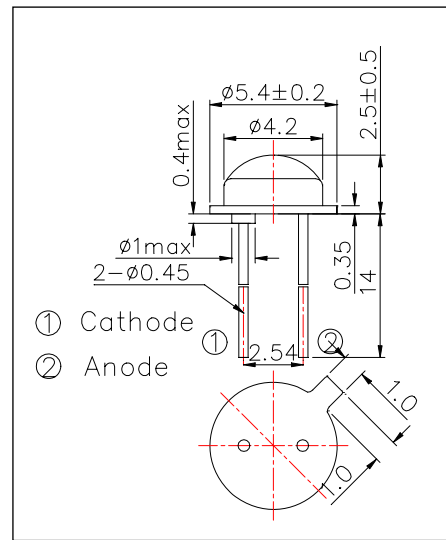
Stem Type PIN-Photodiode

PD023F00 is PIN-Photodiode featuring excellent responsibility and high photocurrent. This PIN-Photodiode consists of a large chip with 2.0x2.0mm active area mounted on the TO-46 stem and is sealed with epoxy resin. These devices are designed to be easy of setting up optically with a wide angle of half sensitivity of $\pm 60^\circ$.

<Specifications>

1. Product Name: Stem Type Photodiode
2. Type Number: PD023F00
3. Chip:
 - Chip Size: 2.3mm x 2.3mm
 - Active Area: 2.0mm x 2.0mm
4. Package
 - Type: TO-46
 - Lens: Epoxy Resin

Outer Dimension (Unit:mm)



Absolute Maximum Ratings[Ta=25°C]			
Item	Symbol	Maximum Rated Value	Unit
Reverse Breakdown Voltage	VR	170	V
Operating Temperature	TOPR	-25 ~ +100	°C
Storage Temperature	TSTG	-30 ~ +125	°C
Soldering Temperature*	TSOL	240	°C

* Soldering condition must be completed within 2 seconds at 240°C

Electro-Optical Characteristics [Ta=25°C typ.]						
Item	Symbol	Condition	Minimum	Typical	Maximum	Unit
Reverse Photo Current	IL	VR=10V, L=1000Lx		50		uA
Reverse Dark Current	ID	VR=10V		5	30	nA
Open Circuit Voltage	VOC	VR=10V, L=1000Lx		390		mV
Spectral Responsibility(Peak)	λP			900		nm
Half Angle of Sensitivity	$\theta 1/2$			± 60		deg
Total Capacitance	CT	VR=10V, f=1MHz		18		pF
Rise/Fall Time(10%~90%)	tr	RL=1k Ω , VR=10V		45		ns
	tf			45		

