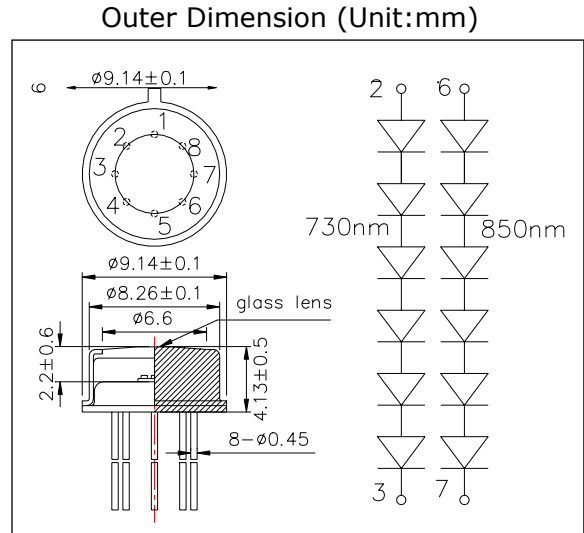


L6*730/6*850-40Q96-I
Multi-Wavelength LED

This product consists of 12chips of AlGaAs(730 and 850nm) LED mounted with AlN heat sink pedestal on TO-5 stem and sealed with a flat glass can.

<Specifications>

1. Product Name: Multi-Wavelength LED Lamp
2. Type Number: L6*730/6*850-40Q96-I
3. Chip:
 - Chip material: AlGaAs
 - Peak Wavelength: 730,850nm
 - Number: 6pcs
4. Package:
 - Stem: TO-5, 8pins type
 - Lens: Flat Glass Can



Absolute Maximum Ratings[Ta=25°C]				
Item	Symbol	Maximum Rated Value		Unit
		730	850	
Power Dissipation	PD	1100	1280	mW
Forward Current	IF	75	100	mA
Pulse Forward Current	IFP	200	500	mA
Reverse Voltage	VR	5		V
Operating Temperature	TOPR	-20 ~ +80		°C
Storage Temperature	TSTG	-30 ~ +100		°C
Soldering Temperature*	TSOL	240		°C

* Soldering condition must be completed within 3 seconds at 240°C and it is allowed in the area apart 3mm from the bottom of the lamp.

Electro-Optical Characteristics [Ta=25°C]									
Item	Symbol	Condition	Minimum		Typical		Maximum		Unit
			730	850	730	850	730	850	
Forward Voltage	VF	IF=50mA			11.0	8.5	14.0	11.0	V
Reverse Current	IR	VR=10V					10		uA
T. Radiated Power*	PO	IF=50mA			50	60			mW
Peak Wavelength	λP	IF=50mA			730	850			nm
Half Width	$\Delta \lambda$	IF=50mA			30	40			nm

* Measured by Photodyne #500

