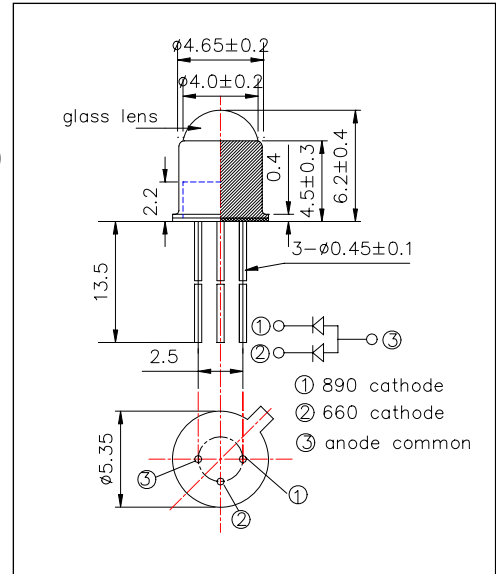


L660/890-40D00
Bi-Color LED

<Specifications>

1. Product Name: Multi-wavelength LED Lamp
2. Type Number: L660/890-40D00
3. Chip:
 - Chip material: AlGaAs
 - Chip Dimension: 350um(660nm), 400um(890nm)
 - Peak Wavelength: 660nm, 890nm
4. Package
 - Stem: TO-18 3pins type
 - Lens: Epoxy Potting

Outer Dimension (Unit:mm)



Absolute Maximum Ratings[Ta=25°C]				
Item	Symbol	Maximum Rated Value		Unit
		660	890	
Power Dissipation	PD	120	150	mW
Forward Current	IF	50	100	mA
Pulse Forward Current	IFP	200	500	mA
Reverse Voltage	VR	5		V
Operating Temperature	TOPR	-20 ~ +80		°C
Storage Temperature	TSTG	-30 ~ +100		°C
Soldering Temperature*	TSOL	240		°C

* Soldering condition must be completed within 3 seconds at 240°C and is allowed in the area apart 3mm from the bottom of the lamp.

Electro-Optical Characteristics [Ta=25°C]									
Item	Symbol	Condition	Minimum		Typical		Maximum		Unit
			660	890	660	890	660	890	
Forward Voltage	VF	IF=20mA			1.9	1.3	2.2	1.5	V
Reverse Current	IR	VR=5V					10		uA
T. Radiant Power*	PO	IF=20mA			1.3	2.0			mW
Radiant Intensity**	IE	IF=20mA			13	15			mW/sr
Peak Wavelength	λP	IF=20mA	650	880	660	890	670	900	nm
Half Width	$\Delta\lambda$	IF=20mA			20	65			nm

* Total Radiated Power is measured by Photodyne #500.

** Radiant Intensity is measured by Tektronix J-6512

