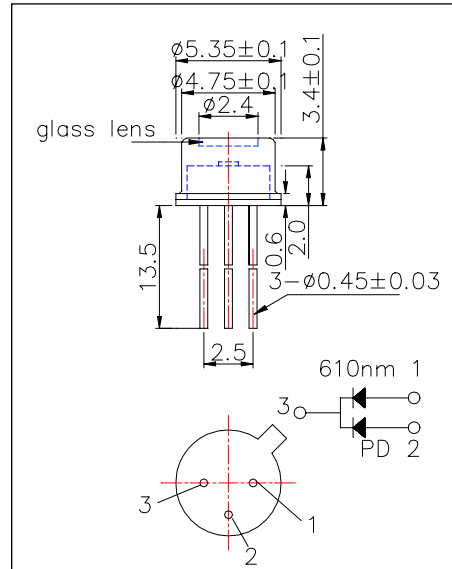


L610/PD010-35D52

Metal Can Sealed PD Monitoring High Power LED

L610/PD010-35D52 consists of a InGaAsP LED 610nm and a Si-PD mounted on TO-18 stem hermetically sealed glass flat can and is designed to monitor reflected light through detector for controlling its own output power.

Outer Dimension (Unit:mm)



<Specifications>

1. Product Name: LED Lamp with PD Monitor
2. Type Number: L610/PD010-35D52
3. Chip:
 - Chip Material: InGaAsP and Si(PIN)
 - Peak Wavelength: 610nm
4. Package
 - Stem: Φ 5mm TO-18
 - Lens: Metal Can (Gold Plate)

Absolute Maximum Ratings [Ta=25°C]				
Device	Item	Symbol	Maximum Rated Value	Unit
LED	Power Dissipation	PD	110	mW
LED	Forward Current	IF	50	mA
LED	Pulse Forward Current	IFP	300	A
LED	Reverse Voltage	VR	5	V
PD	Reverse Voltage	VR	100	V
	Operating Temperature	TOPR	-20 ~ +85	°C
	Storage Temperature	TSTG	-30 ~ +95	°C
	Soldering Temperature*	TSOL	260	°C

* Soldering condition must be completed within 3 seconds at 250°C

Electro-Optical Characteristics [Ta=25°C]						
Item	Symbol	Condition	Minimum	Typical	Maximum	Unit
Forward Voltage	VF	IF=20mA		2.0	2.3	V
Reverse Current	IR	VR=5V			10	uA
Total Radiated Power*	PO	IF=20mA		0.8		mW
Radiant Intensity	IE	IF=20mA		8		mW/sr
Peak Wavelength	λ P	IF=20mA	600	610	620	nm
Half Width	$\Delta\lambda$	IF=20mA		15		nm
Viewing Half Angle	θ 1/2	IF=20mA		\pm 55		deg
Rise Time	tr	IF=20mA		100		ns
Fall Time	tf	IF=20mA		100		ns
Output Current	IL	VR=0V		65		uA
Dark Current	ID	VR=10V			10	nA

* Measured by Photodyne #500

