

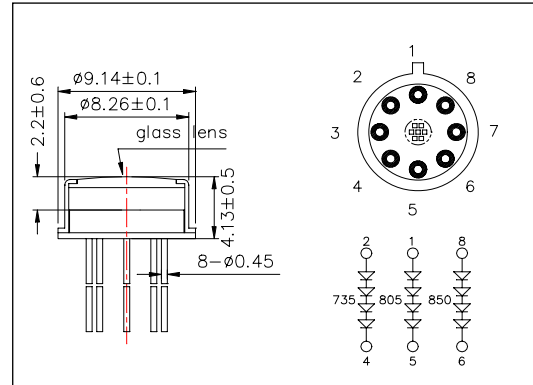
L4*735/4*805/4*850-40Q96-1
Multi-Wavelength LED

L4*735/4*805/4*850-40Q96-1 consists of 12chips of AlGaAs (735nm,805nm and 850nm) LED mounted with AIN heat sink pedestal on TO-5 stem and sealed with a flat glass can.

<Specifications>

1. Product Name: Multi-Wavelength LED Lamp
2. Type Number: L4*735/4*805/4*850-40Q96-1
3. Chip:
 - Chip material: AlGaAs
 - Peak Wavelength: 735, 805 and 850nm
 - Chip Numbers: Each 4pcs
- 4.Package
 - Stem: TO-5, 8pin type
 - Lens: Flat Glass Can

Outer Dimension (Unit:mm)



Absolute Maximum Ratings [Ta=25°C]					
Item	Symbol	Maximum Rated Value			Unit
		735	805	850	
Power Dissipation	PD	720	680	640	mW
Forward Current	IF	75	100	100	mA
Pulse Forward Current	IF	200	300	500	mA
Reverse Voltage	VR	5			V
Operating Temperature	TOPR	-20 ~ +80			°C
Storage Temperature	TSTG	-30 ~ +100			°C
Soldering Temperature*	TSOL	240			°C

* Soldering condition must be completed within 3 seconds at 240 and is allowed in the area apart 3mm from the bottom of the lamp.

Electro-Optical Characteristics [Ta=25°C]												
Item	Symbol	Condition	Minimum			Typical			Maximum			Unit
			735	805	850	735	805	850	735	805	850	
Forward Voltage	VF	IF=50mA				7.6	6.4	5.6	9.0	7.2	6.5	V
Reverse Current	IR	VR=5V							10			uA
Total Radiated Power*	PO	IF=50mA	15	18	20	30	30	30				mW
Peak Wavelength	λ P	IF=50mA	710	790	835	735	805	850	755	820	865	nm
Half Width	Δλ	IF=50mA				30	40	40				nm

*Measured by Photodyne #500.

