

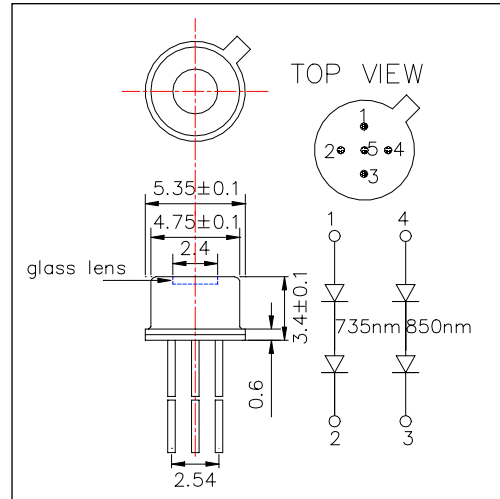
L2*735/2*850-40B52-1
Multi-Wavelength LED

L2*735/2*850-40B52-1 consists of AlGaAs LEDs mounted with AlN heat sink pedestal on TO-18 5pins type stem with flat glass lens can. Each chips are connected as series.

<Specifications>

1. Product Name: Multi-Wavelength LED Lamp
2. Type Number: L2*735/2*850-40B52-1
3. Chip:
 - Chip material: AlGaAs
 - Peak Wavelength: 735nm and 850nm typ.
4. Package
 - Stem: TO-18 5pin type
 - Lens: $\Phi 2.4$ flat glass

Outer Dimension (Unit:mm)



Absolute Maximum Ratings [Ta=25°C]				
Item	Symbol	Maximum Rated Value		Unit
		735	850	
Power Dissipation	PD	180	160	mW
Forward Current	IF	75	100	mA
Pulse Forward Current	IF	200	500	mA
Reverse Voltage	VR	5		V
Operating Temperature	TOPR	-20 ~ +80		°C
Storage Temperature	TSTG	-30 ~ +100		°C
Soldering Temperature*	TSOL	240		°C

* Soldering condition must be completed within 3 seconds at 240 and is allowed in the area apart 3mm from the bottom of the lamp.

Electro-Optical Characteristics [Ta=25°C]									
Item	Symbol	Condition	Minimum		Typical		Maximum		Unit
			735	850	735	850	735	850	
Forward Voltage	VF	IF=50mA			3.70	3.00	4.60	3.40	V
Reverse Current	IR	VR=5V					10		uA
Total Radiated Power*	PO	IF=50mA	8.0	8.0	14.0	14.0			mW
Peak Wavelength	λP	IF=50mA	710	835	735	850	755	865	nm
Half Width	$\Delta \lambda$	IF=50mA			40	40			nm

*Measured by Photodyne #500.

