

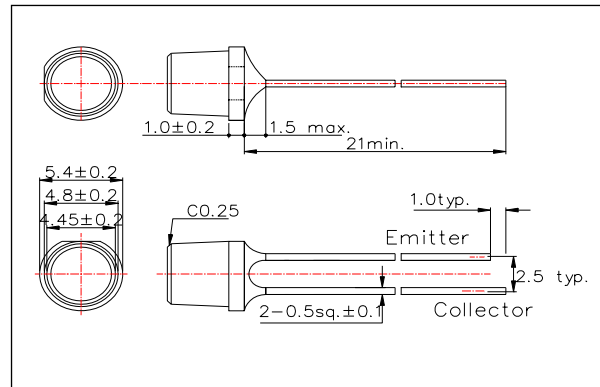
PT008-05
Mold Type Phototransistor

PT008-05 is an epoxy mold type phototransistor featuring high photo current. This phototransistor consists of a chip with 0.6x0.6mm active area mounted on a lead frame with a $\Phi 5$ clear epoxy lens. This device exhibits a half angle of sensitivity $\pm 40^\circ$ and response time of 20us.

<Specifications>

1. Product Name: Mold Type Photo Transistor
2. Type Number: PT008-05
3. Chip:
 - Chip Size: 0.8mmx0.8mm
 - Active Area: 0.6mmx0.6mm
4. Package
 - Type: $\Phi 5$ Epoxy Mold
 - Resin Material: Clear Epoxy Resin
 - Lead Frame: Soldered (Pb-Free)

Outer Dimension (Unit:mm)



Absolute Maximum Ratings[Ta=25°C]			
Item	Symbol	Maximum Rated Value	Unit
Collector-Emitter Breakdown Voltage	VCEO	30	V
Emitter-Collector Breakdown Voltage	VECO	5	V
Collector Current	IC	10	mA
Collector Dissipation	PC	50	mW
Operating Temperature	TOPR	-25 ~ +100	°C
Storage Temperature	TSTG	-30 ~+125	°C
Soldering Temperature*	TSOL	240	°C

* Soldering condition must be completed within 2 seconds at 240°C

Electro-Optical Characteristics [Ta=25°C typ.]						
Item	Symbol	Condition	Minimum	Typical	Maximum	Unit
Photo Current	IL	VCE=5V, L=1000Lx	2	4		mA
Collector Dark Current	ID	VCE=5V			100	nA
Collector Emitter Satu. Voltage	VCE	Ic=2mA, L=1000Lx			0.2	V
Spectral Responsibility(Peak)	λP			900		nm
Half Angle of Sensitivity	$\theta 1/2$			± 40		deg
Rise/Fall Time (10%~90%)	tr	RL=1K Ω , VCE=5V		20		us
	tf	Ic=1mA		20		us

