

SMT830/940-A

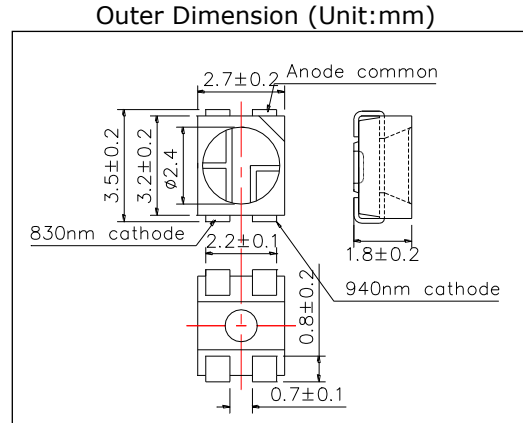
High Performance Bi-Color TOP LED

SMT830/940-A consists of DDH AlGaAs and GaAs LEDs mounted on the lead frame as TOP LED package and is sealed with epoxy resin.

It emits a spectral band of radiation at 830 and 940nm at anode common.

<Specifications>

1. Product Name: Bi-Color TOP LED
2. Type Number: SMT830/940-A
3. Chip:
 - Chip Material: AlGaAs/GaAs
 - Peak Wavelength: 830,940nm
4. Package
 - Lead Frame Die: Silver Plated
 - Package Resin: PPA Resin
 - Lens: Epoxy Resin



Absolute Maximum Ratings [Ta=25°C]				
Item	Symbol	Maximum Rated Value		Unit
		830nm	940nm	
Power Dissipation	PD	90	80	mW
Forward Current	IF	50	50	mA
Pulse Forward Current	IFP	500	500	mW
Reverse Voltage	VR	5		V
Operating Temperature	TOPR	-20 ~ +80		°C
Storage Temperature	TSTG	-30 ~ +80		°C
Soldering Temperature*	TSOL	255		°C

* Soldering condition must be completed within 10 second at 255 °C.

Electro-Optical Characteristics [Ta=25°C]									
Item	Symbol	Condition	Minimum		Typical		Maximum		Unit
			830	940	830	940	830	940	
Forward Voltage	VF	IF=50mA			1.6	1.3	1.8	1.4	V
Reverse Current	IR	VR=5V					10		uA
Total Radiated Power*	PO	IF=50mA	5	5	10	7.5			mW
Peak wavelength	λP	IF=50mA	810	930	830	940	850	960	nm
Half Width	Δλ	IF=50mA			40	50			nm
Viewing Half Angle	θ1/2	IF=50mA			±55				deg

* Measured by Photodyne #500

