

## SMT735/890

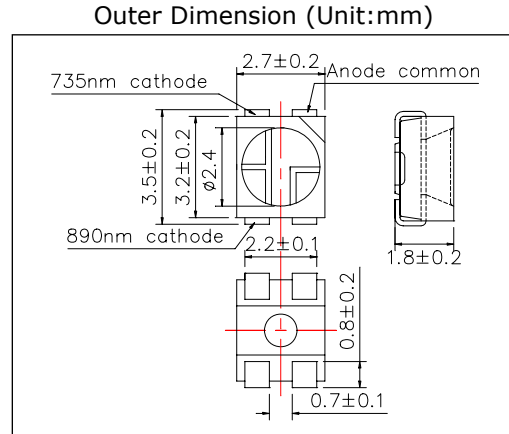
### High Performance Bi-Color TOP LED

SMT735/890 consists of AlGaAs LEDs mounted on the lead frame as TOP LED package and is sealed with epoxy resin.

It emits a spectral band of radiation at 735 and 890nm at anode common.

<Specifications>

1. Product Name: Bi-Color TOP LED
2. Type Number: SMT735/890
3. Chip:
  - Chip Material: AlGaAs
  - Peak Wavelength: 735,890nm
4. Package
  - Lead Frame Die: Silver Plated
  - Package Resin: PPA Resin
  - Lens: Epoxy Resin



Absolute Maximum Ratings [Ta=25°C]				
Item	Symbol	Maximum Rated Value		Unit
		735nm	890nm	
Power Dissipation	PD	100	150	mW
Forward Current	IF	50	100	mA
Reverse Voltage	VR	5		V
Operating Temperature	TOPR	-20 ~ +80		°C
Storage Temperature	TSTG	-30 ~ +80		°C
Soldering Temperature*	TSOL	240		°C

\* Soldering condition must be completed within 3 second at 230 °C.

Electro-Optical Characteristics [Ta=25°C ]									
Item	Symbol	Condition	Minimum		Typical		Maximum		Unit
			735	890	735	890	735	890	
Forward Voltage	VF	IF=50mA			1.90	1.45	2.30	1.70	V
Reverse Current	IR	VR=5V					10		uA
Total Radiated Power*	PO	IF=50mA	5	4	10	8			mW
Radiant Intensity**	IE	IF=50mA	2	2	5	4			mW/sr
Peak wavelength	λP	IF=50mA	615	865	735	880	755	895	nm
Half Width	Δλ	IF=50mA			20	75			nm
Viewing Half Angle	θ1/2	IF=50mA			±55				deg

\* Measured by Photodyne #500

\*\* Measured by Tektronix J-6512

