

SMT700/940

High Performance Bi-Color TOP LED

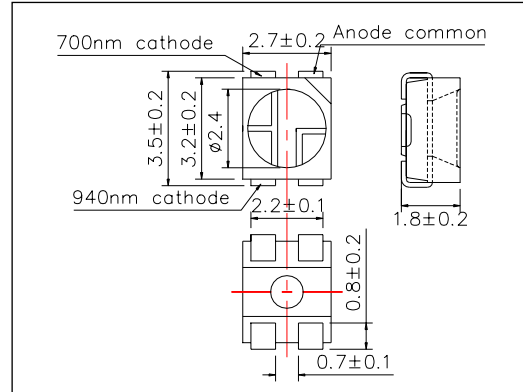
SMT700/940 consists of DDH AlGaAs and GaAs LEDs mounted on the lead frame as TOP LED package and is sealed with epoxy resin.

It emits a spectral band of radiation at 700 and 940nm at anode common.

<Specifications>

1. Product Name: Bi-Color TOP LED
2. Type Number: SMT700/940
3. Chip:
 - Chip Material: AlGaAs/GaAs
 - Peak Wavelength: 700,940nm
4. Package
 - Lead Frame Die: Silver Plated
 - Package Resin: PPA Resin
 - Lens: Epoxy Resin

Outer Dimension (Unit:mm)



Absolute Maximum Ratings [Ta=25°C]				
Item	Symbol	Maximum Rated Value		Unit
		660nm	910nm	
Power Dissipation	PD	110	80	mW
Forward Current	IF	50	50	mA
Pulse Forward Current	IFP	200	500	mA
Reverse Voltage	VR	5		V
Operating Temperature	TOPR	-20 ~ +80		°C
Storage Temperature	TSTG	-30 ~ +80		°C
Soldering Temperature*	TSOL	240		°C

* Soldering condition must be completed within 3 second at 230°C.

Electro-Optical Characteristics [Ta=25°C]									
Item	Symbol	Condition	Minimum		Typical		Maximum		Unit
			700	910	700	910	700	910	
Forward Voltage	VF	IF=50mA			1.9	1.3	2.3	1.4	V
Reverse Current	IR	VR=5V					10		uA
Total Radiated Power*	PO	IF=50mA	4.0	5.0	6.0	7.5			mW
Peak wavelength	λP	IF=50mA	680	930	700	940	720	960	nm
Half Width	Δλ	IF=50mA			20	50			nm
Viewing Half Angle	θ1/2	IF=50mA			±55				deg

* Measured by Photodyne #500

