

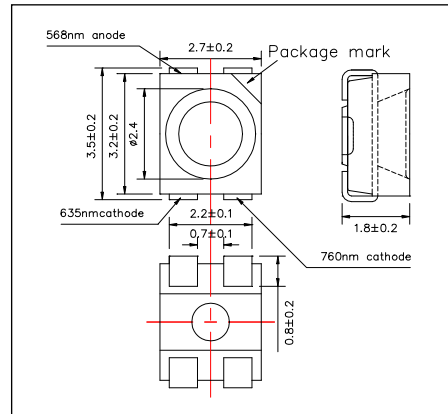
**SMT568/635/760**

Tri-Color TOP LED

SMT568/635/760 consists of an AlGaInP and AlGaAs LEDs mounted on the lead frame as TOP LED package and is sealed with epoxy resin.

It emits a spectral band of radiation at 568, 635 and 760nm.

Outer Dimension (Unit:mm)



<Specifications>

1. Product Name: Tri-Color TOP LED
2. Type Number: SMT568/635/760
3. Chip:
  - Chip Material: AlGaInP, AlGaAs
  - Peak Wavelength: 568,635,760nm
4. Package
  - Lead Frame Die: Silver Plated
  - Package Resin: PPA Resin
  - Lens: Epoxy Resin

Absolute Maximum Ratings [Ta=25°C]					
Item	Symbol	Maximum Rated Value			Unit
		568nm	635nm	760nm	
Power Dissipation	PD	100			mW
Forward Current	IF	50			mA
Reverse Voltage	VR	5			V
Operating Temperature	TOPR	-20 ~ +80			°C
Storage Temperature	TSTG	-30 ~ +80			°C
Soldering Temperature*	TSOL	255			°C

\* Soldering condition must be completed within 3 second at 255 °C.

Electro-Optical Characteristics [Ta=25°C ]												
Item	Symbol	Condition	Minimum			Typical			Maximum			Unit
			430	505	568	430	505	568	430	505	568	
Forward Voltage	VF	IF=20mA				2.0	3.5	2.0	2.3	4.3	2.3	V
Reverse Current	IR	VR=5V							10			uA
Total Radiated Power*	PO	IF=20mA				0.2	0.6	7.0				mW
Radiant Intensity	IE	IF=20mA										mcd
Peak wavelength	λP	IF=20mA				565	635	760				nm
Half Width	Δλ	IF=20mA				15	20	30				nm
Viewing Half Angle	θ1/2	IF=20mA				±55						deg

\* Measured by Photodyne #500

