

LW47-66-60-110
Flat Lens Type White Color Light Illuminator

LW47-66-60-110 is a wide viewing and extremely high bright and output power illuminator assembled with a total of 60 high efficiency InGaN blue color diode chips, mounted on a metal stem TO-66 and covered with flat glass cap.

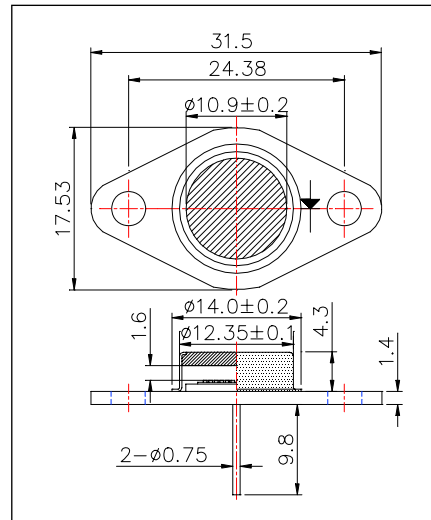
<Features>

- High Brightness
- Compact(TO-66) package

<Specifications>

1. Product Name: White Color Light Illuminator
2. Type Number: LW47-66-60-110
3. Chip:
 - Chip material: InGaN
 - Peak Wavelength: White Color
4. Package
 - Stem: TO-66 Stem
 - Lens: Flat Glass Cap

Outer Dimension (Unit:mm)



Absolute Maximum Ratings				
Item	Symbol	Maximum Rated Value	Unit	Ambient Temperature
Power Dissipation	PD	8.5	mW	Ta=25°C
Forward Current	IF	400	mA	Ta=25°C
Pulse Forward Current*	IFP	2000	mA	Ta=25°C
Reverse Voltage	VR	30	V	Ta=25°C
Operating Temperature	TOPR	-30 ~ +80	°C	
Storage Temperature	TSTG	-30 ~ +100	°C	
Soldering Temperature**	TSOL	240	°C	

* Duty=1% and Pulse Width=1μs

** Soldering condition must be completed within 3 seconds at 260°C

Electro-Optical Characteristics						
Item	Symbol	Condition	Minimum	Typical	Maximum	Unit
Forward Voltage	VF	IF=240mA		19.5		V
Brightness	IV	IF=240mA		13		cd
Total Radiated Power	PO	IF=240mA		60		mW
Radiant Intensity	IE	IF=240mA		35		mW/sr
Reverse Current	VR	IR=10uA	50			V
Peak Wavelength*	λP	IF=240mA		See below		nm
Half Width	Δλ	IF=240mA		-		nm
Viewing Half Angle	θ1/2	IF=240mA		±55		deg

* x:3.25±0.25E-01, y:3.25±0.25E-01

Heat sink is required thermal resistance <8K/W

