

LW47-66-16100HB
High Current White Illuminator

LW47-66-16100HB is a wide viewing and extremely high bright and output power illuminator assembled with a total of 16 high current InGaN blue color diode chips, mounted on a metal stem TO-66 and covered silicone resin.

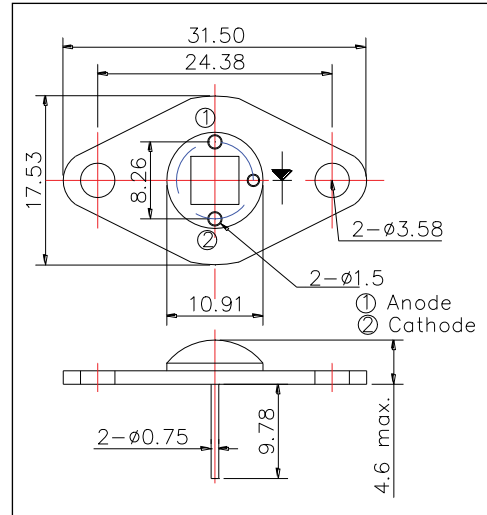
<Features>

- High Brightness
- Compact(TO-66) package

<Specifications>

1. Product Name: High Current White Illuminator
2. Type Number: LW47-66-16100HB
3. Chip:
 - Chip material: InGaN
 - Peak Wavelength: White Color
4. Package
 - Stem: TO-66 Stem
 - Lens: Silicone Resin

Outer Dimension (Unit:mm)



Absolute Maximum Ratings				
Item	Symbol	Maximum Rated Value	Unit	Ambient Temperature
Power Dissipation	PD	30	mW	Ta=25°C
Forward Current	IF	2000	mA	Ta=25°C
Pulse Forward Current*	IF	3000	mA	Ta=25°C
Reverse Voltage	VR	20	V	Ta=25°C
Operating Temperature	TOPR	-30 ~ +80	°C	
Storage Temperature	TSTG	-30 ~ +100	°C	
Soldering Temperature**	TSOL	265	°C	

* Duty=1% and Pulse Width=1μs

** Soldering condition must be completed within 3 seconds at 260°C

Electro-Optical Characteristics						
Item	Symbol	Condition	Minimum	Typical	Maximum	Unit
Forward Voltage	VF	IF=2A		14		V
Luminous Flux	ΦV	IF=2A		1800		lm
Color Coordinates	CIEx	IF=2A		3.05		-
	CIEy	IF=2A		3.25		-
General Color Rendering Index	Ra	IF=2A		73		-
Viewing Half Angle	θ1/2	IF=100mA		60		deg

LED is required to keep less than 60°C



