

**L810-66-60**

Epoxy Lens Type Infrared Illuminator

L810-66-60 is a wide viewing and extremely high output power illuminator assembled with a total of 60 high efficiency AlGaAs diode chips, mounted on a metal stem TO-66 with AlN ceramics and covered with double coated clear silicone and epoxy resin. These devices are designed for high current operation with proper heat sinking to improve thermal conductive efficiency.

<Features>

- High Reliability
- Compact(TO-66) Package
- High Output Power at 810nm

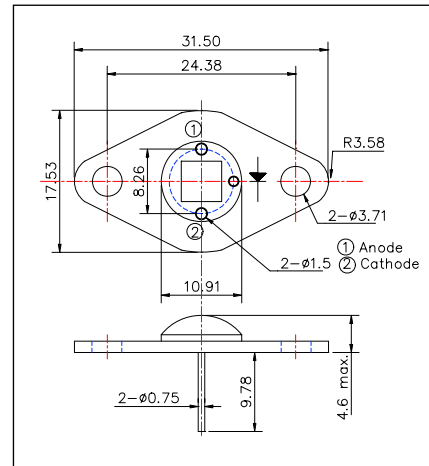
<Application>

- For IR Search Light
- For CCD Lighting
- For Night Vision Light Source

<Specifications>

1. Product Name: IR Illuminator
2. Type Number: L810-66-60
3. Chip:
  - Chip material: AlGaAs
  - Peak Wavelength: 810nm typ.
4. Package
  - Type: TO-66 Stem with AlN
  - Lens: Clear Silicone and Epoxy Lens

Outer Dimension (Unit:mm)



Absolute Maximum Ratings[Ta=25°C]			
Item	Symbol	Maximum Rated Value	Unit
Power Dissipation	PD	7.6	W
Forward Current	IF	750	mA
Pulse Forward Current*	IFP	3	A
Reverse Voltage	VR	50	V
Operating Temperature	TOPR	-30 ~ +80	°C
Storage Temperature	TSTG	-30 ~ +110	°C
Soldering Temperature**	TSOL	240	°C

\* Duty=1% and Pulse Width=1us

\*\* Soldering condition must be completed within 3 second at 260°C.

Electro-Optical Characteristics						
Item	Symbol	Condition	Minimum	Typical	Maximum	Unit
Total Radiated Power	PO	IF=600mA		1000		mW
		IF=3A		4000		
Radiant Intensity	IE	IF=600mA		450		mW/sr
Forward Voltage	VF	IF=600mA		9.0		V
Reverse Current	VR	IR=10uA	50			V
Peak Wavelength	λP	IF=600mA		810		nm
Half Width	Δλ	IF=600mA		30		nm
Viewing Half Angle	θ1/2	IF=600mA		± 60		deg
Rise Time	Tr	IF=600mA		100		ns
Fall Time	tf	IF=600mA		100		ns

Heat sink is required thermal resistance <8K/W

