

L700-66-60

Epoxy Lens Type Infrared Illuminator

L700-66-60 is a wide viewing and extremely high output power illuminator assembled with a total of 60 high efficiency AlGaAs diode chips, mounted on a metal stem TO-66 with AlN ceramics and covered with double coated clear silicone and epoxy resin. These devices are designed for high current operation with proper heat sinking to improve thermal conductive efficiency.

<Features>

- High Reliability
- Compact(TO-66) Package
- High Output Power at 700nm

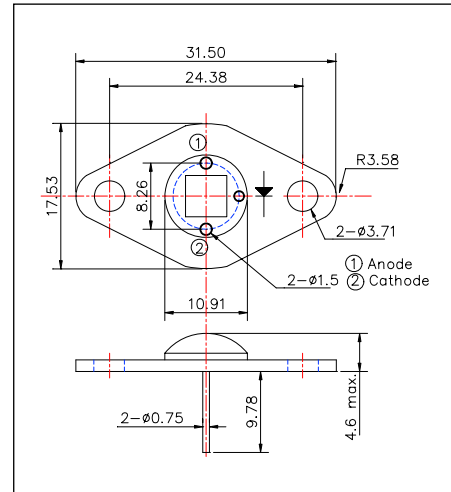
<Application>

- For High Intensity Lighting Source

<Specifications>

1. Product Name: Red Color Illuminator
2. Type Number: L700-66-60
3. Chip:
 - Chip material: AlGaAs
 - Peak Wavelength: 700nm typ.
4. Package
 - Type: TO-66 Stem with AlN
 - Lens: Clear Epoxy Lens

Outer Dimension (Unit:mm)



Absolute Maximum Ratings[Ta=25°C]			
Item	Symbol	Maximum Rated Value	Unit
Power Dissipation	PD	4.0	W
Forward Current	IF	400	mA
Pulse Forward Current*	IFP	2000	mA
Reverse Voltage	VR	50	V
Operating Temperature	TOPR	-30 ~ +80	°C
Storage Temperature	TSTG	-30 ~+110	°C
Soldering Temperature**	TSOL	240	°C

* Duty=1% and Pulse Width=1us

** Soldering condition must be completed within 3 second at 260°C.

Electro-Optical Characteristics						
Item	Symbol	Condition	Minimum	Typical	Maximum	Unit
Total Radiated Power	PO	IF=240mA		300		mW
Forward Voltage	VF	IF=240mA		9.8		V
Reverse Current	VR	IR=10uA	50			V
Peak Wavelength	λP	IF=240mA	685	700	715	nm
Half Width	Δλ	IF=240mA		20		nm
Viewing Half Angle	θ1/2	IF=240mA		±60		deg

Heat sink is required thermal Resistance <8k/W

