

L405-66-60-110

Flat Lens Type UV Light Illuminator

L405-66-60-110 is a wide viewing and extremely high output power illuminator assembled with a total of 60 high efficiency InGaN UV diode chips, mounted on a metal stem TO-66 and covered with flat glass cap. These devices are designed for high current operation with proper heat sinking to improve thermal conductive efficiency.

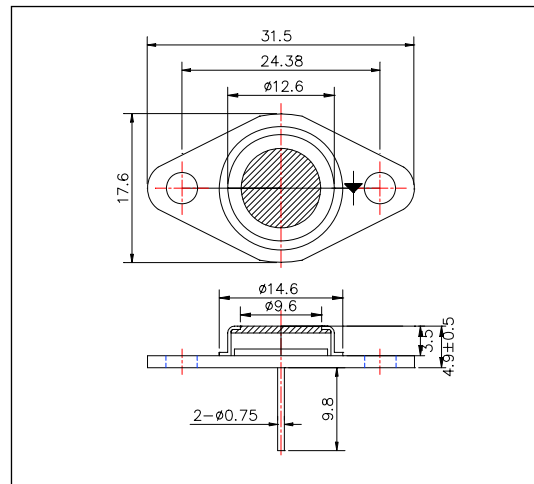
<Features>

- High Reliability
- Compact(TO-66) Package
- High Output Power at 405nm

<Specifications>

1. Product Name: UV Light Illuminator
2. Type Number: L405-66-60-110
3. Chip:
 - Chip material: InGaN
 - Peak Wavelength: 405nm typ.
4. Package
 - Type: TO-66 Stem
 - Lens: Flat Glass Cap

Outer Dimension (Unit:mm)



Absolute Maximum Ratings[Ta=25°C]			
Item	Symbol	Maximum Rated Value	Unit
Power Dissipation	PD	11.0	W
Forward Current	IF	600	mA
Reverse Voltage	VR	30	V
Operating Temperature	TOPR	-30 ~ +80	°C
Storage Temperature	TSTG	-30 ~+100	°C
Soldering Temperature*	TSOL	265	°C

* Soldering condition must be completed within 3 second at 265 °C.

Electro-Optical Characteristics						
Item	Symbol	Condition	Minimum	Typical	Maximum	Unit
Forward Voltage	VF	IF=400mA		17.0		V
Brightness	IV	IF=400mA		-		mcd
Total Radiated Power*	PO	IF=400mA		300		mW
Radiant Intensity	IE	IF=400mA		-		mW/sr
Reverse Current	VR	IR=10uA	30			V
Peak Wavelength	λP	IF=240mA	(400)	405	(410)	nm
Half Width	Δλ	IF=240mA		15		nm
Viewing Half Angle	θ1/2	IF=240mA		±55		deg

* Measured by S3584-08
LED is required to keep less than 60°C

