

## L385-66-60-110

### Flat Lens Type UV Light Illuminator

L385-66-60-110 is a wide viewing and extremely high output power illuminator assembled with a total of 60 high efficiency InGaN UV diode chips, mounted on a metal stem TO-66 and covered with flat glass cap.

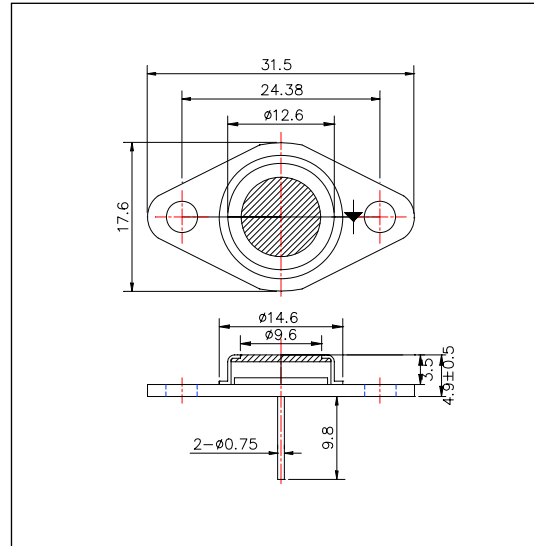
**<Features>**

- High Reliability
- Compact(TO-66) Package
- High Output Power at 385nm

**<Specifications>**

1. Product Name: UV Light Illuminator
2. Type Number: L385-66-60-110
3. Chip:
  - Chip material: InGaN
  - Peak Wavelength: 385nm typ.
4. Package
  - Type: TO-66 Stem Cu made
  - Lens: Flat Glass Cap

Outer Dimension (Unit:mm)



Absolute Maximum Ratings[Ta=25°C]			
Item	Symbol	Maximum Rated Value	Unit
Power Dissipation	PD	5.0	W
Forward Current	IF	300	mA
Reverse Voltage	VR	20	V
Operating Temperature	TOPR	-30 ~ +80	°C
Storage Temperature	TSTG	-30 ~+100	°C
Soldering Temperature*	TSOL	240	°C

\* Soldering condition must be completed within 3 second at 265 °C.

Electro-Optical Characteristics						
Item	Symbol	Condition	Minimum	Typical	Maximum	Unit
Forward Voltage	VF	IF=200mA		17.0		V
Brightness	IV	IF=200mA		-		mcd
Total Radiated Power*	PO	IF=200mA		140		mW
Radiant Intensity	IE	IF=200mA		-		mW/sr
Peak Wavelength	λP	IF=200mA	(380)	385	(390)	nm
Half Width	Δλ	IF=200mA		17		nm
Viewing Half Angle	θ1/2	IF=200mA		±55		deg

\* Measured by S3584-08  
LED is required to keep less than 60°C

