

L365-66-60

Silicone Resin Potting Type UV Light Illuminator

L365-66-60 is a wide viewing and extremely high output power illuminator assembled with a total of 60 high efficiency AlGaN UV diode chips, mounted on a metal stem TO-66 and covered with silicone resin.

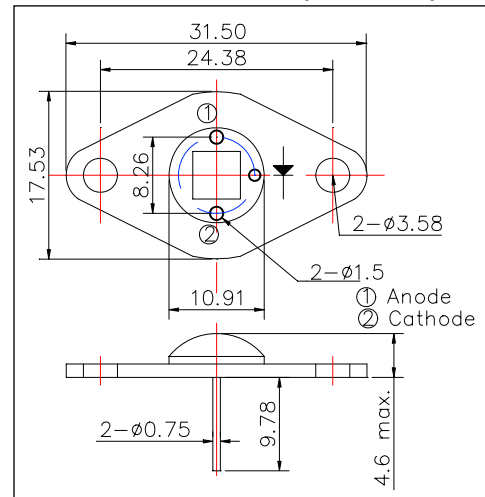
<Features>

- Compact(TO-66) Package
- High Output Power at 365nm

<Specifications>

1. Product Name: UV Light Illuminator
2. Type Number: L365-66-60
3. Chip:
 - Chip material: AlGaN
 - Peak Wavelength: 365nm typ.
4. Package
 - Type: TO-66 Stem Cu made
 - Lens: Silicone Resin

Outer Dimension (Unit:mm)



Absolute Maximum Ratings[Ta=25°C]			
Item	Symbol	Maximum Rated Value	Unit
Power Dissipation	PD	9.0	W
Forward Current	IF	400	mA
Pulse Forward Current*	IFP	-	A
Reverse Voltage	VR	20	V
Operating Temperature	TOPR	-30 ~ +80	°C
Storage Temperature	TSTG	-30 ~+100	°C
Soldering Temperature**	TSOL	265	°C

* Duty=1% and Pulse Width=1μs

** Soldering condition must be completed within 3 second at 265 °C.

Electro-Optical Characteristics [Ta=25°C]						
Item	Symbol	Condition	Minimum	Typical	Maximum	Unit
Forward Voltage	VF	IF=250mA		20.0		V
Brightness	IV	IF=250mA		-		mcd
Total Radiated Power*	PO	IF=250mA		100		mW
Radiant Intensity	IE	IF=250mA		210		mW/cm ²
Peak Wavelength	λP	IF=250mA	355	365	365	nm
Half Width	Δλ	IF=250mA		20		nm
Viewing Half Angle	θ1/2	IF=200mA		±55		deg

* Measured by G8370-85

Heat sink is required to protect LED at 60°C or less

