

**L1600-35M32**

Stem Type LED with High Output Power

L1600-35M32 is an InGaAsP LED mounted on a TO-18 stem with a spherical glass lens being designed for high output power use.

On forward bias, it emits a spectral band of radiation which peaks at 1600nm.

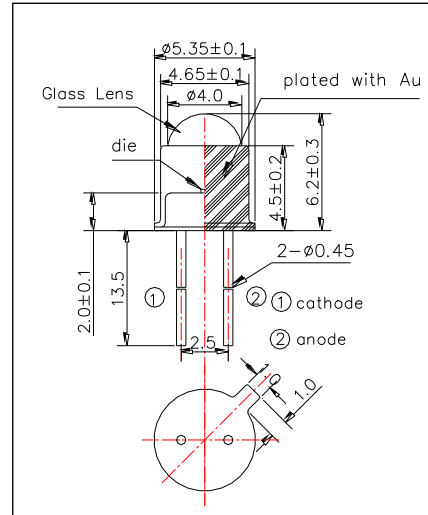
<Features>

- High Radiated Intensity
- High Reliability

<Specifications>

1. Product Name: NIR LED Lamp
2. Type Number: L1600-35M32
3. Chip:
  - Chip material: InGaAs/InP
  - Peak Wavelength: 1600nm typ.
4. Package
  - Type: TO-18 Stem
  - Lens: Spherical Glass Lens
  - Cap: Gold Plated

Outer Dimension (Unit:mm)



Absolute Maximum Ratings[Ta=25°C]			
Item	Symbol	Maximum Rated Value	Unit
Power Dissipation	PD	120	mW
Forward Current	IF	100	mA
Pulse Forward Current*	IFP	1	A
Reverse Voltage	VR	3	V
Operating Temperature	TOPR	-20 ~ +90	°C
Storage Temperature	TSTG	-30 ~ +100	°C
Soldering Temperature**	TSOL	265	°C

\* Duty=1% and Pulse Width=10μs

\*\* Soldering condition must be completed within 3 second at 265 °C.

Electro-Optical Characteristics [Ta=25°C]						
Item	Symbol	Condition	Minimum	Typical	Maximum	Unit
Forward Voltage	VF	IF=50mA		1.0	1.4	V
Reverse Current	IR	VR5V			10	uA
Radiated Power*	PO	IF=50mA	0.7	1.4		mW
Radiant Intensity	IE	IF=50mA		2.5		mW/sr
Peak Wavelength	λP	IF=50mA	1550	1600	1650	nm
Half Width	Δλ	IF=50mA		75		nm
Viewing Half Angle	θ1/2	IF=50mA		±15		deg
Rise Time	tr	IF=50mA		10		ns
Fall Time	tf	IF=50mA		10		ns

\* Measured by Ando Optical Multi Meter AQ2140&AQ2742

