

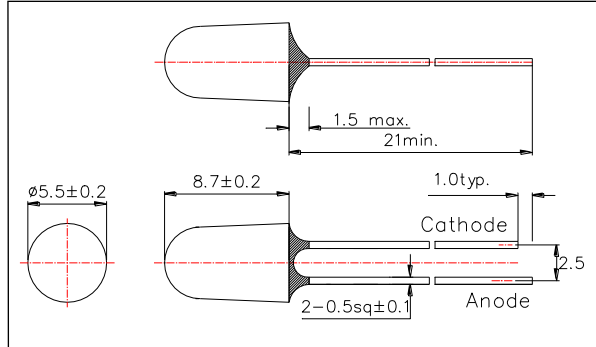
L1300-06
Infrared LED Lamp

L1300-06 is an InGaAsP LED mounted on a lead frame with a clear epoxy lens. On forward bias, it emits a spectral band of radiation which peaks at 1300nm.

<Specifications>

1. Product Name: Infrared LED Lamp
2. Type Number: L1300-06
3. Chip:
 - Chip material: InGaAsP
 - Peak Wavelength: 1300nm typ.
4. Package
 - Type: Φ 5mm Clear Molding
 - Resin: Epoxy Resin
 - Lead Frame: Soldered(Lead Free)

Outer Dimension (Unit:mm)



Absolute Maximum Ratings [Ta=25°C]

Item	Symbol	Maximum Rated Value	Unit
Power Dissipation	PD	130	mW
Forward Current	IF	100	mA
Pulse Forward Current*	IFP	1000	mA
Reverse Voltage	VR	5	V
Junction Temperature	Tj	120	°C
Thermal Resistance	Rthjp	250	K/W
Operating Temperature	TOPR	-40 ~ +100	°C
Storage Temperature	TSTG	-40 ~ +100	°C
Soldering Temperature**	TSOL	250	°C

* Duty=1% and Pulse Width=10 μ s

** Soldering condition must be completed within 5 second at 250 °C.

Electro-Optical Characteristics [Ta=25°C]

Item	Symbol	Condition	Minimum	Typical	Maximum	Unit
Forward Voltage	VF	IF=50mA		1.0	1.3	V
	VFP	IF=1A		1.8		
Radiated Power*	PO	IF=50mA		4.5		mW
		IF=1A		30		
Radiant Intensity**	IE	IF=50mA		120		mW/sr
		IF=1A		810		
Peak Wavelength	λ P	IF=50mA	1250	1300	1350	nm
Half Width	$\Delta\lambda$	IF=50mA		85		nm
Viewing Half Angle	θ 1/2	IF=50mA		± 9		deg

* Measured by G8370-85

** Measured by ANDO Optical Multi Meter AQ2140&AQ2743

