

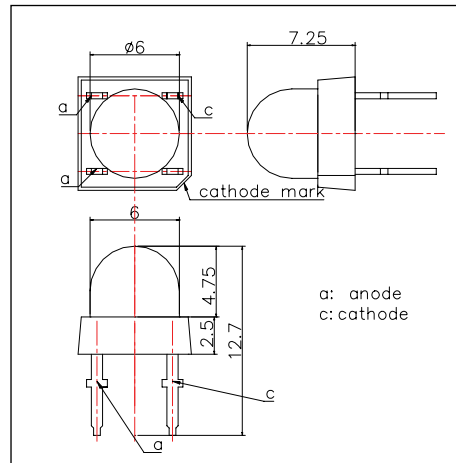
FL630W-21 Super Beam Type LED

FL630W-21 is an InGaAlP LED mounted on a lead frame and molded with super beam lens. On forward bias it emits a band of visible light which peaks 635nm.

<Specifications>

1. Product Name: Epoxy Mold Type LED
2. Type Number: FL630W-21
3. Chip:
 - Chip material: InGaAlP
 - Peak Wavelength: 635nm
4. Package
 - Type: Super Beam Type LED
 - Resin Material: Epoxy Resin
 - Lead Frame: Soldered

Outer Dimension (Unit:mm)



Absolute Maximum Ratings[Ta=25°C]			
Item	Symbol	Maximum Rated Value	Unit
Power Dissipation	PD	140	mW
Forward Current	IF	50	mA
Reverse Voltage	VR	5	V
Operating Temperature	TOPR	-30 ~ +85	°C
Storage Temperature	TSTG	-30 ~+100	°C
Soldering Temperature*	TSOL	260	°C

* Soldering Condition must be completed within 3 seconds at 260 °C

Electro-Optical Characteristics [Ta=25°C typ.]						
Item	Symbol	Condition	Minimum	Typical	Maximum	Unit
Forward Voltage	VF	IF=20mA		2.2	2.6	V
Reverse Current	IR	VR=5V			10	uA
Total Radiated Power*	PO	IF=20mA		8.0		mW
Brightness**	IV	IF=20mA	5000	10000		mcd
Peak Wavelength	λP	IF=20mA	625	635	645	nm
Half Width	Δλ	IF=20mA		15		nm
Viewing Half Angle	θ1/2	IF=20mA		±8		deg

* Measured by Photodyne #500

** Measured by Tektronix J-16

