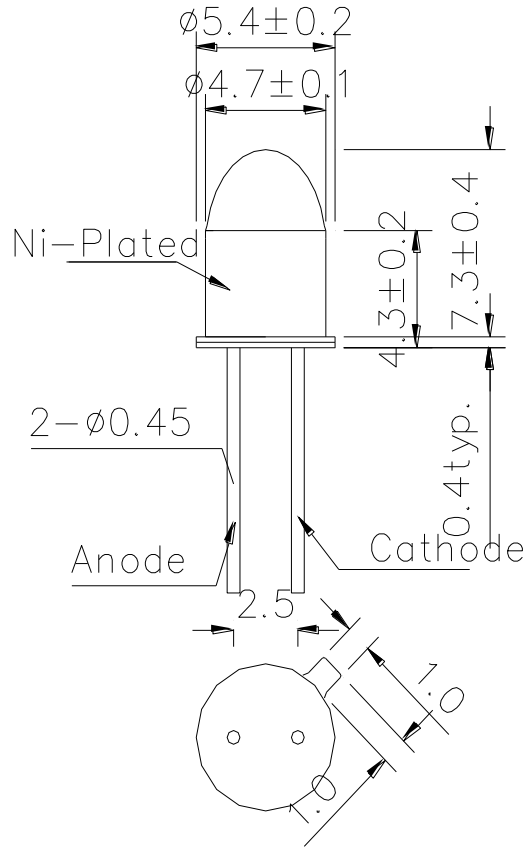


CE850-A50
Chip in Stem Package

Outer Dimension (Unit:mm)



Radiation Characteristics
Engineering Sample (N=2)

