

L850D-06

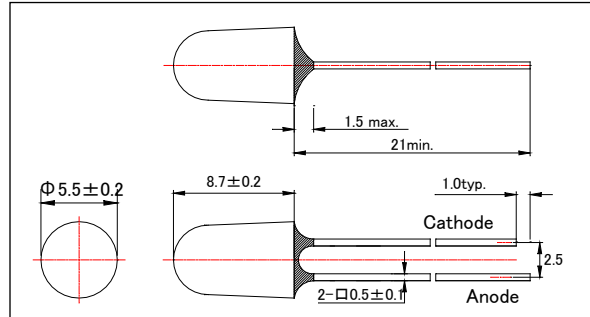
Infrared LED Lamp for High Radiant Intensity

L850D-06 is an AlGaAs LED mounted on a lead frame with a clear epoxy lens. On forward bias, it emits a spectral band of radiation that peaks at 850nm.

<Specifications>

1. Product Name: Infrared LED Lamp
2. Type Number: L850D-06
3. Chip:
 - Chip material: AlGaAs
 - Peak Wavelength: 850nm typ.
4. Package
 - Type: Φ5mm Clear Molding
 - Resin Material: Epoxy Resin
 - Lead Frame: Soldered

Outer Dimension (Unit:mm)



Absolute Maximum Ratings[Ta=25°C]			
Item	Symbol	Maximum Rated Value	Unit
Power Dissipation	PD	180	mW
Forward Current	IF	100	mA
Pulse Forward Current*	IFP	1000	mA
Reverse Voltage	VR	5	V
Operating Temperature	TOPR	-40 ~ +100	°C
Storage Temperature	TSTG	-40 ~ +100	°C
Soldering Temperature**	TSOL	265	°C

* Duty=1% and Pulse Width=10us.

** Soldering condition must be completed within 3 second at 265 °C.

Electro-Optical Characteristics[Ta=25°C]						
Item	Symbol	Condition	Minimum	Typical	Maximum	Unit
Forward Voltage	VF	IF=50mA		1.60	1.80	V
		IFP= 1 A		3.6	4.3	
Reverse Current	IR	VR=5V			10	uA
Total Radiated Power*	PO	IF=50mA	18	23		mW
Radiant Intensity**	IE	IF=50mA		260		mW/sr
		IFP= 1 A		5500		
Peak Wavelength	λP	IF=50mA	835	850	865	nm
Half Width	Δλ	IF=50mA		40		nm
Viewing Half Angle	θ1/2	IF=50mA		±5		deg
Rise Time	tr	IF=50mA		25		ns
Fall Time	tf	IF=50mA		15		ns

* Measured by Photodyne #500

** Measured by Tektronix J-6512

