

L635/760-04A

Bi-Color LED for Medical Analysis

L635/760-04A consists of DDH structure AlGaAs LEDs mounted on a lead frame with a clear epoxy lens. On forward bias, it emits a band of visible light which peaks 635nm and 760nm at anode common.

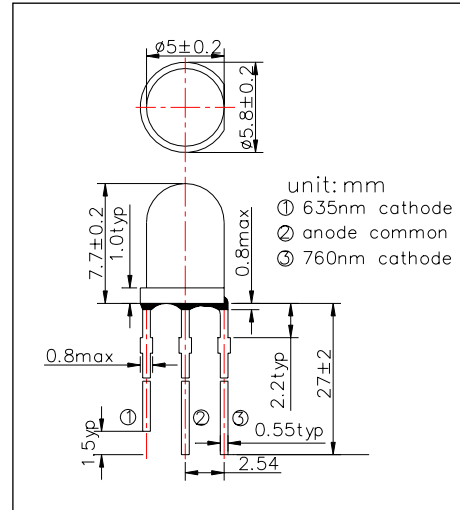
<Features>

- High Reliability
- High Power
- Anode Common

<Specifications>

1. Product Name: Bi-Color LED
2. Type Number: L635/760-04A
3. Chip:
 - Chip material: AlGaAs(DDH structure)
 - Peak Wavelength: 635nm/760nm
4. Package
 - Type: $\Phi 5$ mm clear molding
 - Resin Material: Epoxy Resin
 - Lead Frame: Soldered(Lead Free)

Outer Dimension (Unit:mm)



Absolute Maximum Ratings					
Item	Symbol	Maximum Rated Value		Unit	Ambient Temp.
		635nm	760nm		
Power Dissipation	PD	100	200	mW	Ta=25°C
Forward Current	IF	50	100	mA	Ta=25°C
Reverse Voltage	VR	5		V	Ta=25°C
Operating Temperature	TOPR	-30 ~ +85		°C	
Storage Temperature	TSTG	-30 ~ +100		°C	
Soldering Temperature*	TSOL	260		°C	

* Soldering condition must be completed within 3 second at 260 °C.

Electro-Optical Characteristics [Ta=25°C]									
Item	Symbol	Condition	Minimum		Typical		Maximum		Unit
			635	760	635	760	635	760	
Forward Voltage	VF	IF=20mA			2.1	1.65	2.3	2.0	V
Reverse Current	IR	VR=5V					10		uA
Total Radiated Power*	PO	IF=20mA	0.7	2.0	1.5	4.0	2.5	8.0	mW
Peak wavelength	λP	IF=20mA	630	750	635	760	640	770	nm
Half Width	$\Delta\lambda$	IF=20mA			20	30			nm
Viewing Half Angle	$\theta_{1/2}$	IF=20mA			±20				deg

* Measured by Photodyne #500

