

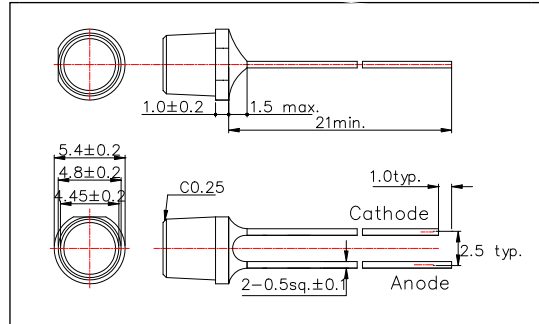
L1450-05
Infrared LED Lamp

L1450-05 is an InGaAsP LED mounted on a lead frame with a clear epoxy lens. On forward bias it emits a spectral band of radiation which peaks at 1450nm.

<Specifications>

1. Product Name: Infrared LED Lamp
2. Type Number: L1450-05
3. Chip:
 - Chip material: InGaAsP
 - Peak Wavelength: 1450nm typ.
4. Package
 - Type: Φ5mm Clear Molding
 - Resin Material: Epoxy Resin
 - Lead Frame: Soldered (Lead Free)

Outer Dimension (Unit:mm)



Absolute Maximum Ratings[Ta=25°C]			
Item	Symbol	Maximum Rated Value	Unit
Power Dissipation	PD	120	mW
Forward Current	IF	100	mA
Pulse Forward Current*	IFP	1000	mA
Reverse Voltage	VR	5	V
Operating Temperature	TOPR	-30 ~ +85	°C
Storage Temperature	TSTG	-30 ~ +100	°C
Soldering Temperature**	TSOL	260	°C

* Duty=1% and Pulse Width=10us.

** Soldering condition must be completed within 3 second at 260 °C.

Electro-Optical Characteristics [Ta=25°C]						
Item	Symbol	Condition	Minimum	Typical	Maximum	Unit
Forward Voltage	VF	IF=50mA		1.1	1.4	V
Reverse Current	IR	VR=5V			10	uA
Total Radiated Power*	PO	IF=50mA	0.6	2.0		mW
Radiant Intensity	IE	IF=50mA		-		mW/sr
Peak wavelength	λP	IF=50mA	1400	1450	1500	nm
Half Width	Δλ	IF=50mA		100		nm
Viewing Half Angle	θ1/2	IF=50mA		±55		deg
Rise Time	tr	IF=50mA		10		ns
Fall Time	tf	IF=50mA		10		ns

* Mearsured by Ando Optical Multi Meter AQ2140 & AQ2742

