

## PD018T32

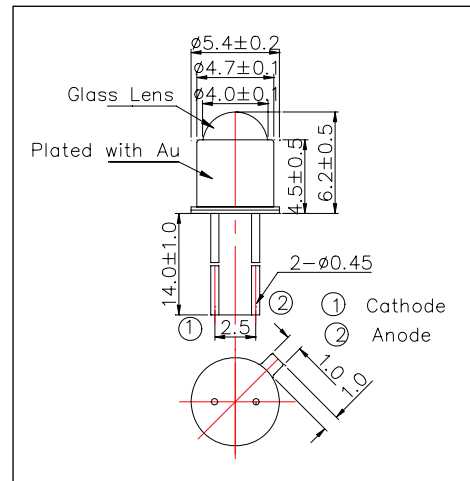
### Stem Type PIN-Photodiode

PD018T32 is PIN-Photodiode featuring excellent responsibility and high photocurrent. This PIN-Photodiode consists of a large chip with 1.6x1.6mm active area mounted on the TO-18 stem and is hermetical sealed by metal can with glass ball lens. These devices are designed for high current and narrow angle of half sensitivity of  $\pm 10^\circ$ .

**<Specifications>**

1. Product Name: Stem Type Photodiode
2. Type Number: PD018T32
3. Chip:
  - Chip Size: 1.8mm x 1.8mm
  - Active Area: 1.6mm x 1.6mm
4. Package
  - Type: TO-18
  - Lens: Glass Ball Lens
  - Cap: Gold Plated

Outer Dimension (Unit:mm)



Absolute Maximum Ratings [Ta=25°C]			
Item	Symbol	Maximum Rated Value	Unit
Reverse Breakdown Voltage	VR	170	V
Operating Temperature	TOPR	-25 ~ +100	°C
Storage Temperature	TSTG	-30 ~ +125	°C
Soldering Temperature*	TSOL	240	°C

\* Soldering condition must be completed within 2 seconds at 240°C

Electro-Optical Characteristics [Ta=25°C typ.]						
Item	Symbol	Condition	Minimum	Typical	Maximum	Unit
Reverse Photo Current	IL	VR=10V, L=1000Lx		45		uA
Reverse Dark Current	ID	VR=10V			10	nA
Open Circuit Voltage	VOC	VR=10V, L=1000Lx		410		mV
Spectral Responsibility(Peak)	$\lambda P$			900		nm
Half Angle of Sensitivity	$\theta 1/2$			$\pm 10$		deg
Total Capacitance	CT	VR=10V, f=1MHz		18		pF
Rise Time (10%~90%)	tr	RL=1k $\Omega$ , VR=10V		30		ns
Fall Time (10%~90%)	tr			30		

