

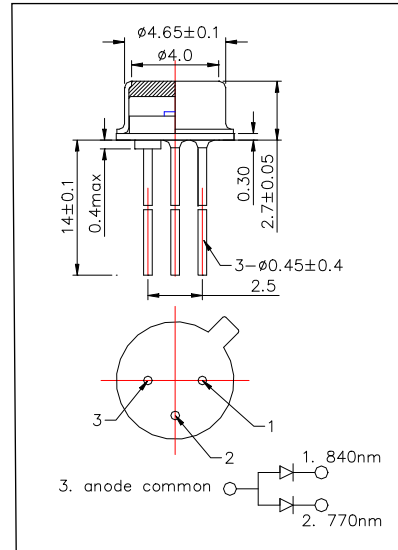
L770/840-40D59
Multi-Wavelength LED

This product consists of AlGaAs(770,840nm) LED mounted on TO-46 stem with a glass flat lens. On forward bias it emits a spectral band of radiation, which peaks at 770nm and 840nm without sub-peak.

<Specifications>

1. Product Name: Multi-Wavelength LED Lamp
2. Type Number: L770/840-40D59
3. Chip:
 - Chip material: AlGaAs
 - Dimension: 400um
 - Peak Wavelength: 770,840nm
4. Package:
 - Stem: TO-46, 3pins type
 - Lens: Φ5mm Glass Flat Lens

Outer Dimension (Unit:mm)



Absolute Maximum Ratings[Ta=25°C]				
Item	Symbol	Maximum Rated Value		Unit
		770	840	
Power Dissipation	PD	200	170	mW
Forward Current	IF	100	100	mA
Pulse Forward Current*	IFP	500	500	mA
Reverse Voltage	VR	5		V
Operating Temperature	TOPR	-20 ~ +80		°C
Storage Temperature	TSTG	-30 ~ +100		°C
Soldering Temperature**	TSOL	265		°C

* Duty=1% and tw=10μs

** Soldering condition must be completed within 3 seconds at 265°C

Electro-Optical Characteristics [Ta=25°C]									
Item	Symbol	Condition	Minimum		Typical		Maximum		Unit
			770	840	770	840	770	840	
Forward Voltage	VF	IF=50mA			1.80	1.60	2.2	1.80	V
Reverse Current	IR	VR=5V					10		uA
T. Radiated Power*	PO	IF=50mA	6.0	5.0	12.0	9.0			mW
Radiant Intensity**	IE	IF=50mA			6.0	5.5			mW/sr
Peak Wavelength	λP	IF=50mA	760	830	770	840	780	850	nm
Half Width	Δλ	IF=50mA			28	32			nm
View Half Angle	θ1/2	IF=50mA			±55				deg

* Measured by Photodyne #500

** Measured by Tektronix J-6512

