

L760/940-04A

Bi-Color LED for Medical Analysis

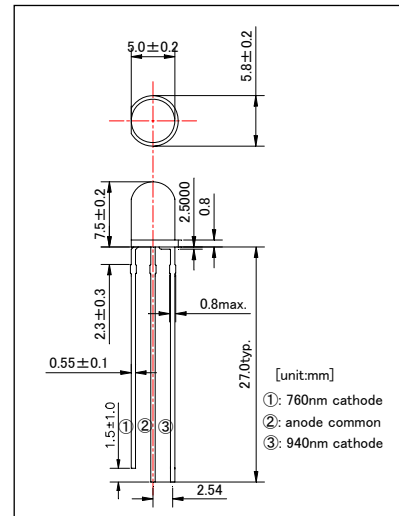
<Specifications>

1. Product Name: Bi-Color LED
2. Type Number: L60/940-04A
3. Chip:
 - Chip material: AlGaAs (DDH Structure)
 - Peak Wavelength: 760,940nm
4. Package
 - Type: Φ 5mm Clear Molding
 - Resin Material: Epoxy Resin
 - Lead Frame: Soldered

<Features>

- High Reliability
- High Power
- Anode Common

Outer Dimension (Unit:mm)



Absolute Maximum Ratings [Ta=25°C]				
Item	Symbol	Maximum Rated Value		Unit
		760nm	940nm	
Power Dissipation	PD	200	140	mW
Forward Current	IF	100		mA
Reverse Voltage	VR	10		V
Operating Temperature	TOPR	-30 ~ +85		°C
Storage Temperature	TSTG	-30 ~ +100		°C
Soldering Temperature*	TSOL	260		°C

* Soldering condition must be completed within 3 seconds at 260°C

Electro-Optical Characteristics [Ta=25°C]									
Item	Symbol	Condition	Minimum		Typical		Maximum		Unit
			760	940	760	940	760	940	
Forward Voltage	VF	IF=50mA			1.85	1.30	2.00	1.45	V
Reverse Current	IR	VR=5V					10		uA
T. Radiant Power*	PO	IF=50mA	8.0	8.0	15.0	14.0			mW
Peak Wavelength	λ P	IF=50mA	740	930	760	940	780	960	nm
Half Width	$\Delta\lambda$	IF=50mA			30	50			nm
Viewing Half Angle	θ 1/2	IF=50mA			±20				deg

* Measured by Photodyne #500

