

L760/850-04A

Bi-Color LED for Medical Analysis

Bi-color LED of L760/850-04A consists of DDH structure AlGaAs LEDs mounted on a lead frame with a clear epoxy lens.

On forward bias it emits a band of visible light which peaks 760nm and 850nm at anode common.

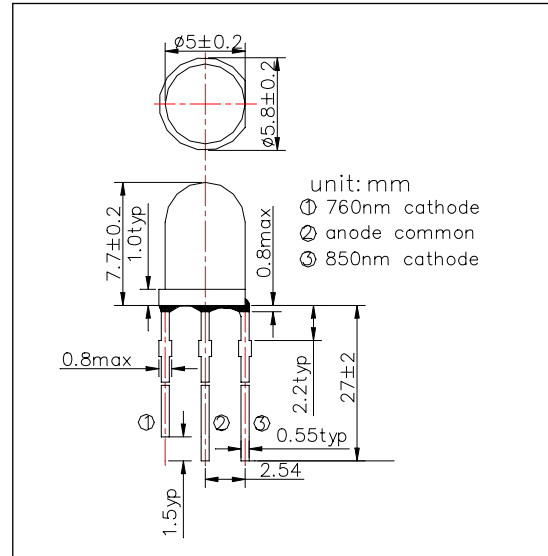
<Features>

- High Reliability
- High Power
- Anode Common

<Specifications>

1. Product Name: Bi-color LED
2. Type Number: L760/850-04A
3. Chip:
 - Chip material: AlGaAs(DDH structure)
 - Peak Wavelength: 760nm and 850nm typ.
4. Package
 - Type: $\Phi 5$ mm clear molding
 - Resin Material: Epoxy Resin
 - Lead Frame: Soldered(Lead Free)

Outer Dimension (Unit:mm)



Absolute Maximum Ratings					
Item	Symbol	Maximum Rated Value		Unit	Ambient Temperature
		760nm	850nm		
Power Dissipation	PD	200	160	mW	Ta=25°C
Forward Current	IF	100		mA	Ta=25°C
Reverse Voltage	IR	10		V	Ta=25°C
Operating Temperature	TOPR	-30 ~ +85		°C	
Storage Temperature	TSTG	-30 ~ +100		°C	
Soldering Temperature	TSOL	260		°C	

Soldering condition: Soldering condition must be completed within 3 seconds at 260°C

Electro-Optical Characteristics [Ta=25°C]									
Item	Symbol	Condition	Minimum		Typical		Maximum		Unit
			760	850	760	850	760	850	
Forward Voltage	VF	IF=50mA			1.85	1.55	2.00	1.70	V
Reverse Current	IR	VR=5V					10		uA
Total Radiated Power	PO	IF=50mA	8.0	12.0	15.0	18.0			mW
Peak Wavelength	λP	IF=50mA	740	830	760	850	780	870	nm
Half Width	$\Delta \lambda$	IF=50mA			30	35			nm
Viewing Half Angle	$\theta 1/2$	IF=50mA			± 20				Deg.

Total Radiated Power is measured by Photodyne #500.

Radiant Intensity is measured by Tektronix J-6512

