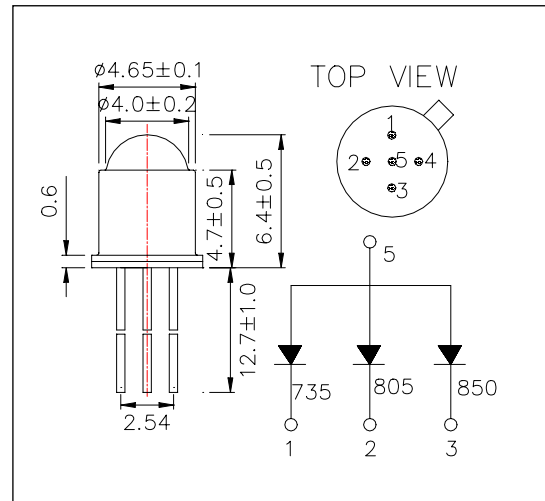


**L735/805/850-40B32**  
Multi-Wavelength LED

<Specifications>

1. Product Name: Multi-Wavelength LED Lamp
2. Type Number: L735/805/850-40B32
3. Chip:
  - Chip material: AlGaAs
  - Peak Wavelength: 735,805,850nm
4. Package
  - Stem: TO-18 5pin type
  - Lens:  $\Phi 5$  Spherical Glass

Outer Dimension (Unit:mm)



Absolute Maximum Ratings[Ta=25°C]					
Item	Symbol	Maximum Rated Value			Unit
		735	805	850	
Power Dissipation	PD	180	170	160	mW
Forward Current	IF	75	100	100	mA
Pulse Forward Current*	IFP	200	300	500	mA
Reverse Voltage	VR	5			V
Operating Temperature	TOPR	-20 ~ +80			°C
Storage Temperature	TSTG	-30 ~ +100			°C
Soldering Temperature**	TSOL	240			°C

\* Soldering condition must be completed within 3 seconds at 240°C and is allowed in the area apart 3mm from the bottom of the lamp

Electro-Optical Characteristics [Ta=25°C ]												
Item	Symbol	Condition	Minimum			Typical			Maximum			Unit
			735	805	850	735	805	850	735	805	850	
Forward Voltage	VF	IF=50mA				1.85	1.6	1.55	2.3	1.8	1.7	V
Reverse Current	IR	VR=5V							10			uA
T. Radiant Power*	PO	IF=50mA	5.0	5.0	5.0	9.0	9.0	9.0				mW
Peak Wavelength	$\lambda P$	IF=50mA	710	790	835	735	805	850	755	820	865	nm
Half Width	$\Delta\lambda$	IF=50mA				40	40	40				nm

\* Measured by Photodyne #500

