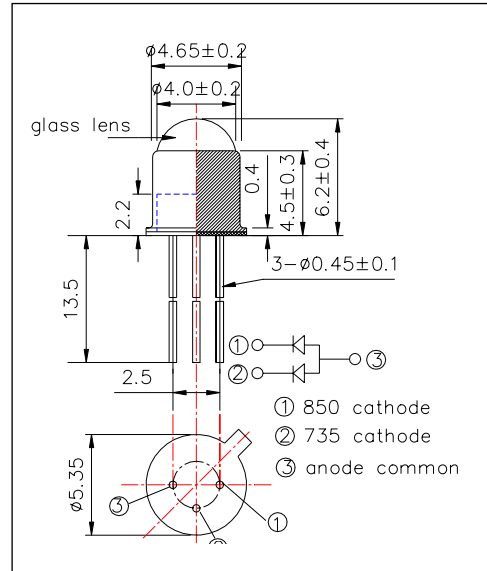


L735/850-40D32
Multi-Wavelength LED

This product consists of AlGaAs(735,850nm) LED mounted on TO-18 stem with a glass ball lens. On forward bias it emits a spectral band of radiation, which peaks at 735nm and 850nm without sub-peak.

Outer Dimension (Unit:mm)



<Specifications>

1. Product Name: Multi-Wavelength LED Lamp
2. Type Number: L735/850-40D32
3. Chip:
 - Chip material: AlGaAs
 - Dimension: 400um
 - Peak Wavelength: 735,850nm
4. Package:
 - Stem: TO-18, 3pins type
 - Lens: Φ5mm Glass Ball Lens

Absolute Maximum Ratings[Ta=25°C]				
Item	Symbol	Maximum Rated Value		Unit
		735	850	
Power Dissipation	PD	180	160	mW
Forward Current	IF	75	100	mA
Pulse Forward Current	IFP	200	500	mA
Reverse Voltage	VR	5		V
Operating Temperature	TOPR	-20 ~ +80		°C
Storage Temperature	TSTG	-30 ~ +100		°C
Soldering Temperature*	TSOL	240		°C

* Soldering condition must be completed within 3 seconds at 240°C and it is allowed in the area apart 3mm from the bottom of the lamp.

Electro-Optical Characteristics [Ta=25°C]									
Item	Symbol	Condition	Minimum		Typical		Maximum		Unit
			735	850	735	850	735	850	
Forward Voltage	VF	IF=50mA			1.85	1.55	2.30	1.70	V
Reverse Current	IR	VR=5V					10		uA
T. Radiated Power*	PO	IF=50mA	5.0	5.0	9.0	9.0			mW
Radiant Intensity**	IE	IF=50mA			13.0	13.0			mW/sr
Peak Wavelength	λP	IF=50mA	710	835	735	850	755	865	nm
Half Width	Δλ	IF=50mA			40	40			nm

* Measured by Photodyne #500
** Measured by Tektronix J-6512

