

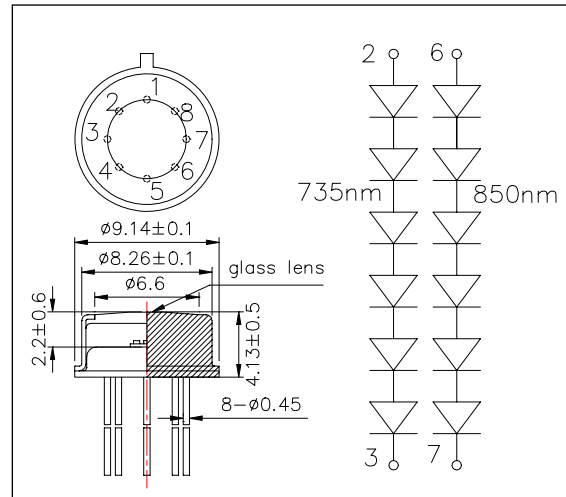
**L6\*735/6\*850-40Q96-1**  
Multi-Wavelength LED

L6\*735/6\*850-40Q96-1 consists of 12chips of AlGaAs (735nm and 850nm) LED mounted with AlN heat sink pedestal on TO-5 stem and sealed with a flat glass can.

<Specifications>

1. Product Name: Multi-Wavelength LED Lamp
2. Type Number: L6\*735/6\*850-40Q96-1
3. Chip:
  - Chip material: AlGaAs
  - Peak Wavelength: 735 and 850nm
  - Chip Numbers: Each 6pcs
4. Package
  - Stem: TO-5, 8pin type
  - Lens: Flat Glass Can

Outer Dimension (Unit:mm)



| Absolute Maximum Ratings [Ta=25°C] |        |                     |      |      |
|------------------------------------|--------|---------------------|------|------|
| Item                               | Symbol | Maximum Rated Value |      | Unit |
|                                    |        | 735                 | 850  |      |
| Power Dissipation                  | PD     | 1100                | 1280 | mW   |
| Forward Current                    | IF     | 75                  | 100  | mA   |
| Pulse Forward Current              | IF     | 200                 | 500  | mA   |
| Reverse Voltage                    | VR     | 5                   |      | V    |
| Operating Temperature              | TOPR   | -20 ~ +80           |      | °C   |
| Storage Temperature                | TSTG   | -30 ~ +100          |      | °C   |
| Soldering Temperature*             | TSOL   | 240                 |      | °C   |

\* Soldering condition must be completed within 3 seconds at 240 and is allowed in the area apart 3mm from the bottom of the lamp.

| Electro-Optical Characteristics [Ta=25°C] |        |           |         |     |         |     |         |      |      |
|---|--------|-----------|---------|-----|---------|-----|---------|------|------|
| Item                                      | Symbol | Condition | Minimum |     | Typical |     | Maximum |      | Unit |
|   |        |           | 735     | 850 | 735     | 850 | 735     | 850  |      |
| Forward Voltage                           | VF     | IF=50mA   |         |     | 11.0    | 8.5 | 14.0    | 11.0 | V    |
| Reverse Current                           | IR     | VR=10V    |         |     |         |     | 10      |      | uA   |
| Total Radiated Power*                     | PO     | IF=50mA   |         |     | 50      | 60  |         |      | mW   |
| Peak Wavelength                           | λ P    | IF=50mA   |         |     | 735     | 850 |         |      | nm   |
| Half Width                                | Δλ     | IF=50mA   |         |     | 30      | 40  |         |      | nm   |

\*Measured by Photodyne #500.

