

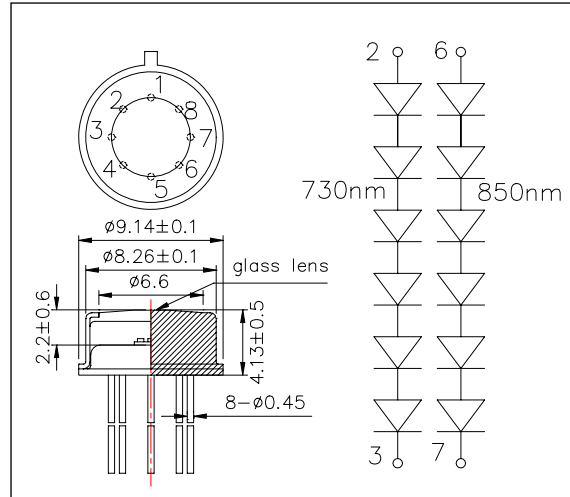
**L6\*730/6\*850-40Q96-1**  
Multi-Wavelength LED

L6\*730/6\*850-40Q96-1 consists of 12chips of AlGaAs (730nm and 850nm) LED mounted with AlN heat sink pedestal on TO-5 stem and sealed with a flat glass can.

<Specifications>

1. Product Name: Multi-Wavelength LED Lamp
2. Type Number: L6\*730/6\*850-40Q96-1
3. Chip:
  - Chip material: AlGaAs
  - Peak Wavelength: 730 and 850nm
  - Chip Numbers: Each 6pcs
4. Package
  - Stem: TO-5, 8pin type
  - Lens: Flat Glass Can

Outer Dimension (Unit:mm)



Absolute Maximum Ratings [Ta=25°C]				
Item	Symbol	Maximum Rated Value		Unit
		730	850	
Power Dissipation	PD	1100	1280	mW
Forward Current	IF	75	100	mA
Pulse Forward Current	IF	200	500	mA
Reverse Voltage	VR	5		V
Operating Temperature	TOPR	-20 ~ +80		°C
Storage Temperature	TSTG	-30 ~ +100		°C
Soldering Temperature*	TSOL	240		°C

\* Soldering condition must be completed within 3 seconds at 240 and is allowed in the area apart 3mm from the bottom of the lamp.

Electro-Optical Characteristics [Ta=25°C]									
Item	Symbol	Condition	Minimum		Typical		Maximum		Unit
			730	850	730	850	730	850	
Forward Voltage	VF	IF=50mA			11.0	8.5	14.0	11.0	V
Reverse Current	IR	VR=10V					10		uA
Total Radiated Power*	PO	IF=50mA			50	60			mW
Peak Wavelength	$\lambda P$	IF=50mA			730	850			nm
Half Width	$\Delta \lambda$	IF=50mA			30	40			nm

\*Measured by Photodyne #500.

