

L610-35T52 Stem Type LED

L610-35T52 is an InGaAlP LED mounted on TO-18 stem and hermetically sealed with flat glass can.

On forward bias it emits a spectral band of radiation, which peaks at 610nm.

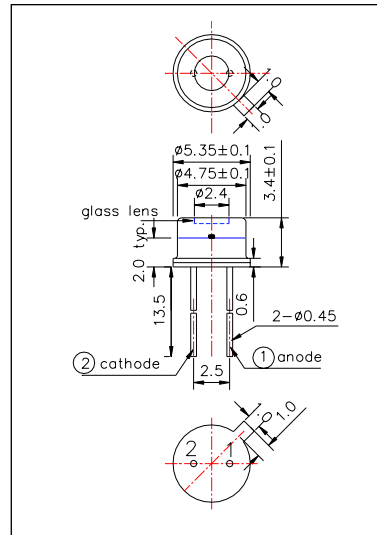
<Features>

- Wide Viewing Angle
- High Reliability
- High Power

<Specifications>

1. Product Name: LED Lamp
2. Type Number: L610-35T52
3. Chip:
 - Chip material: InGaAlP
 - Peak Wavelength: 610nm
4. Package
 - Type: TO-18 Stem
 - Lens: Φ2.4 Flat Glass Lens
 - Cap: Gold Plated

Outer Dimension (Unit:mm)



Absolute Maximum Ratings[Ta=25°C]			
Item	Symbol	Maximum Rated Value	Unit
Power Dissipation	PD	110	mW
Forward Current	IF	50	mA
Pulse Forward Current*	IFP	100	mA
Reverse Voltage	VR	5	V
Operating Temperature	TOPR	-30 ~ +85	°C
Storage Temperature	TSTG	-30 ~ +100	°C
Soldering Temperature**	TSOL	260	°C

* Duty=1% and Pulse Width=10μs

* Soldering condition must be completed within 3 seconds at 260°C

Electro-Optical Characteristics[Ta=25°C]						
Item	Symbol	Condition	Min.	Typ.	Max.	Unit
Forward Voltage	VF	IF=20mA		1.9	2.3	V
Reverse Current	IR	VR=5V			10	uA
Total Radiated Power*	PO	IF=20mA	0.5	0.8		mW
Radiant Intensity**	IE	IF=20mA		0.3		mW/sr
Brightness	IV	IF=20mA		180		mcd
Peak Wavelength	λP	IF=20mA	600	610	620	nm
Half Width	Δλ	IF=20mA		15		nm
Viewing Half Angle	θ1/2	IF=20mA		±55		deg

* Measured by Photodyne #500

** Measured by Tektronix J-6512

