

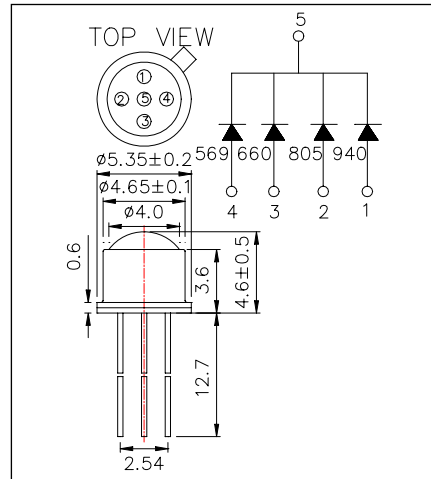
L569/660/805/940-35B42
Multi-Wavelength LED

L569/660/805/940-35B42 consists of an InGaAlAs'(569nm), AlGaAs'(660 and 805nm) and GaAs'(940nm) LED mounted on TO-18 stem with an unshpherical glass lens.

<Specifications>

1. Product Name: Multi-Wavelength LED Lamp
2. Type Number: L569/660/805/940-35B42
3. Chip:
 - Chip material: InGaAlP, AlGaAs, GaAs
 - Peak Wavelength: 569,660,805 and 940nm
4. Package
 - Stem: TO-18 5pin type
 - Lens: $\Phi 5$ Unspherical Glass

Outer Dimension (Unit:mm)



| Absolute Maximum Ratings[Ta=25°C] | | | | | | |
|-----------------------------------|--------|---------------------|-----|-----|------|------|
| Item | Symbol | Maximum Rated Value | | | | Unit |
| | | 569 | 660 | 805 | 940 | |
| Power Dissipation | PD | 110 | 120 | 170 | 140 | mW |
| Forward Current | IF | 50 | 50 | 100 | 100 | mA |
| Pulse Forward Current | IFP | 1000 | 200 | 500 | 1000 | mA |
| Reverse Voltage | VR | 5 | | | | V |
| Operating Temperature | TOPR | -20 ~ +80 | | | | °C |
| Storage Temperature | TSTG | -30 ~ +100 | | | | °C |
| Soldering Temperature* | TSOL | 240 | | | | °C |

* Soldering condition must be completed within 3 seconds at 240°C and is allowed in the area apart 3mm from the bottom of the lamp

| Electro-Optical Characteristics [Ta=25°C] | | | | | | | | | | | | | | | |
|---|-----------------|-----------|---------|-----|-----|-----|---------|-----|-----|-----|---------|-----|-----|-----|------|
| Item | Symbol | Condition | Minimum | | | | Typical | | | | Maximum | | | | Unit |
| | | | 569 | 660 | 805 | 940 | 569 | 660 | 805 | 940 | 569 | 660 | 805 | 940 | |
| Forward Voltage | VF | IF=20mA | | | | | 2.0 | 1.9 | 1.5 | 1.2 | 2.3 | 2.2 | 1.7 | 1.3 | V |
| Reverse Current | IR | VR=5V | | | | | | | | | 10 | | | | uA |
| T. Radiated Power* | PO | IF=20mA | | | | | 0.08 | 2.9 | 3.5 | 2.5 | | | | | mW |
| Peak Wavelength | λP | IF=20mA | 564 | 650 | 795 | 935 | 569 | 660 | 805 | 940 | 575 | 670 | 915 | 955 | nm |
| Half Width | $\Delta\lambda$ | IF=20mA | | | | | 15 | 20 | 30 | 45 | | | | | nm |

* Measured by Photodyne #500

