

L525/PD010-35D52

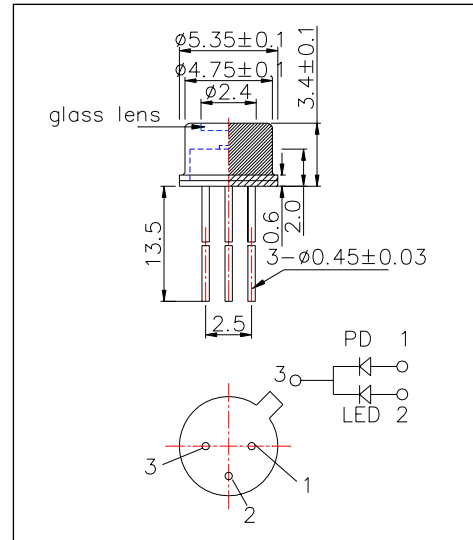
Metal Can sealed PD Monitoring High Power LED

This product consists of InGaN LED(525nm) and a Si-PD mounted on TO-18 stem hermetically sealed with a glass flat can, designed to monitor reflected light through detector for controlling its own output power.

<Specifications>

1. Product Name: LED Lamp with PD Monitor
2. Type Number: L525/PD010-35D52
3. Chip:
 - Chip material: InGaN and Si(PIN)
 - Peak Wavelength: 525nm
4. Package:
 - Stem: Φ5mm TO-18
 - Lens: Metal Can (Gold Plated)

Outer Dimension (Unit:mm)



Absolute Maximum Ratings[Ta=25°C]				
Device	Item	Symbol	Maximum Rated Value	Unit
LED	Power Dissipation	PD	120	mW
LED	Forward Current	IF	30	mA
LED	Pulse Forward Current	IFP	-	mA
LED	Reverse Voltage	VR	5	V
PD	Reverse Voltage	VR	100	V
	Operating Temperature	TOPR	-30 ~ +85	°C
	Storage Temperature	TSTG	-30 ~ +95	°C
	Soldering Temperature*	TSOL	260	°C

* Soldering condition must be completed within 3 seconds at 250°C

Electro-Optical Characteristics[Ta=25°C]						
Item	Symbol	Condition	Min.	Typ.	Max.	Unit
Forward Voltage	VF	IF=20mA		3.5	4.3	V
Reverse Current	IR	VR=5V			10	uA
Total Radiated Power*	PO	IF=20mA		2.0		mW
Radiant Intensity	IE	IF=20mA		-		mW/sr
Peak Wavelength	λP	IF=20mA	515	525	535	nm
Half Width	Δλ	IF=20mA		40		nm
Viewing Half Angle	θ1/2	IF=20mA		±55		deg
Rise Time	Tr	IF=20mA		-		ns
Fall Time	Tf	IF=20mA		-		ns
Output Current	IL	VR=0V		55		uA
Dark Current	ID	VR=10V			10	nA

* Measured by Photodyne #500

