

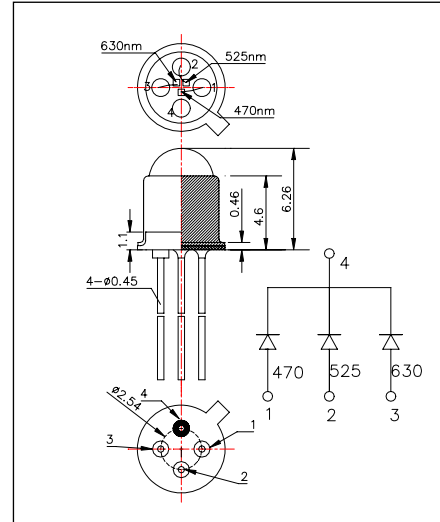
L470/525/630-30C32 Multi-Wavelength LED

L470/525/630-30C32 consists of an InGaN(470 and 525nm) and InGaAlP(630nm) LED mounted on TO-18 4pins type stem with a glass ball lens. Chips are connected as cathode common.

<Specifications>

1. Product Name: Multi-Wavelength LED Lamp
2. Type Number: L470/525/630-30C32
3. Chip:
 - Chip material: InGaP, InGaAlP
 - Peak Wavelength: 470, 525 and 630nm
4. Package
 - Stem: TO-18 4pin type
 - Lens: $\Phi 5$ Spherical Glass

Outer Dimension (Unit:mm)



Absolute Maximum Ratings[Ta=25°C]					
Item	Symbol	Maximum Rated Value			Unit
		470	525	630	
Power Dissipation	PD	120	120	130	mW
Forward Current	IF	30	30	50	mA
Reverse Voltage	VR	5			V
Operating Temperature	TOPR	-20 ~ +80			°C
Storage Temperature	TSTG	-30 ~+100			°C
Soldering Temperature*	TSOL	240			°C

* Soldering condition must be completed within 3 seconds at 240°C and is allowed in the area apart 3mm from the bottom of the lamp

Electro-Optical Characteristics [Ta=25°C]												
Item	Symbol	Condition	Minimum			Typical			Maximum			Unit
			470	525	630	470	525	630	470	525	630	
Forward Voltage	VF	IF=20mA				3.80	3.80	2.20	4.30	4.30	2.60	V
Reverse Current	IR	VR=5V							10			uA
Total Radiated Power*	PO	IF=20mA	0.30	0.30	1.50	0.50	0.50	3.00				mW
Peak Wavelength	λP	IF=20mA	460	515	625	470	525	635	480	535	645	nm
Half Width	$\Delta \lambda$	IF=20mA				25	40	15				nm

* Measured by Photodyne #500

