

L430-30T52 Stem Type LED

L430-30T52 is an InGaN LED mounted on TO-18 stem and hermetically sealed with flat glass can, being designed for sensing devices. On forward bias it emits a spectral band of radiation, which peaks at 430nm.

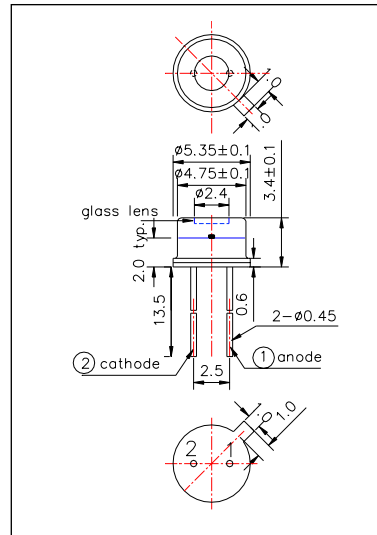
<Features>

- Wide Viewing Angle
- High Reliability

<Specifications>

1. Product Name: LED Lamp
2. Type Number: L430-30T52
3. Chip:
 - Chip material: InGaN
 - Peak Wavelength: 430nm
4. Package
 - Stem: TO-18 Stem
 - Lens: $\Phi 2.4$ Flat Glass Lens
 - Cap: Gold Plated

Outer Dimension (Unit:mm)



Absolute Maximum Ratings				
Item	Symbol	Maximum Rated Value	Unit	Ambient Temperature
Power Dissipation	PD	120	mW	Ta=25°C
Forward Current	IF	30	mA	Ta=25°C
Reverse Voltage	VR	5	V	Ta=25°C
Operating Temperature	TOPR	-30 ~ +85	°C	
Storage Temperature	TSTG	-30 ~ +100	°C	
Soldering Temperature*	TSOL	260	°C	

* Soldering condition must be completed within 3 seconds at 260°C

Electro-Optical Characteristics						
Item	Symbol	Condition	Minimum	Typical	Maximum	Unit
Forward Voltage	VF	IF=20mA		3.8	4.3	V
Reverse Current	IR	VR=5V			10	uA
Radiated Power*	PO	IF=20mA		0.3		mW
Total Radiated Power**	PO	IF=20mA		0.15		mW
Brightness	IV	IF=20mA		7		Mcd
Radiant Intensity***	IE	IF=20mA		0.15		mW/sr
Peak Wavelength	λP	IF=20mA	415	430	440	nm
Half Width	$\Delta\lambda$	IF=20mA		50		nm
Viewing Half Angle	$\theta 1/2$	IF=20mA		± 60		deg

* Measured by AQ2730&AQ2741
 ** Measured by Photodyne #500
 *** Measured by Tektronix J-6512

