

## L405-30M32L

### Higher Beam Type UV LED

L405-30M32L is an InGaN LED mounted on TO-18 stem and designed for narrow viewing angle +/-5° type with hermerical glass ball lens can. On forward bias it emits a spectral band of radiation, which peaks at 405nm.

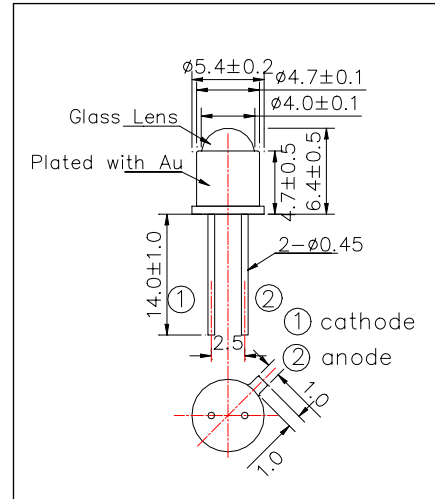
<Features>

- Narrow Viewing Angle
- High Radiant Intensity
- High Reliability

<Specifications>

1. Product Name: LED Lamp
2. Type Number: L405-30M32L
3. Chip:
  - Chip material: InGaN
  - Peak Wavelength: 405nm
4. Package
  - Stem: TO-18 Stem
  - Lens: Ball Glass Lens
  - Cap: Gold Plated

Outer Dimension (Unit:mm)



Absolute Maximum Ratings				
Item	Symbol	Maximum Rated Value	Unit	Ambient Temperature
Power Dissipation	PD	120	mW	Ta=25°C
Forward Current	IF	30	mA	Ta=25°C
Pulse Forward Current*	IFP	50	mA	Ta=25°C
Reverse Voltage	VR	5	V	Ta=25°C
Operating Temperature	TOPR	-30 ~ +85	°C	
Storage Temperature	TSTG	-30 ~ +100	°C	
Soldering Temperature**	TSOL	260	°C	

\* Duty=1% and Pulse Width=10μs

\*\* Soldering condition must be completed within 3 seconds at 260°C

Electro-Optical Characteristics						
Item	Symbol	Condition	Minimum	Typical	Maximum	Unit
Forward Voltage	VF	IF=20mA		3.3	4.0	V
Reverse Current	IR	VR=5V			10	uA
Total Radiated Power*	PO	IF=20mA		2.8		mW
Brightness	IV	IF=20mA		40		mcd
Radiant Intensity**	IE	IF=20mA		-		mW/sr
Peak Wavelength	λP	IF=20mA	400	405	410	nm
Half Width	Δλ	IF=20mA		15		nm
Viewing Half Angle	θ1/2	IF=20mA		±5		deg

\* Measured by Ando Optical Multi Meter AQ2140&AQ2741 (AQ2140 is set at 405nm range)

\*\* Measured by Epitex's designed AQ2140&AQ2741

