

L1050-35K00
NIR Stem Type LED

L1050-35K00 is an InGaAsP LED mounted on a TO-46 stem with an epoxy lens. It is designed for high output power and wide viewing angle use. On forward bias, it emits a spectral band of radiation which peaks at 1050nm.

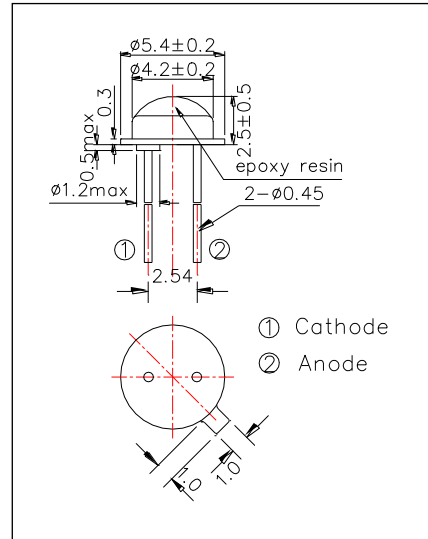
<Features>

- High Radiated Intensity
- Wide Viewing Angle

<Specifications>

1. Product Name: NIR Stem Type LED
2. Type Number: L1050-35K00
3. Chip:
 - Chip material: InGaAs/InP
 - Peak Wavelength: 1050nm
4. Package
 - Type: TO-46 Stem
 - Lens: Epoxy Lens

Outer Dimension (Unit:mm)



Absolute Maximum Ratings				
Item	Symbol	Maximum Rated Value	Unit	Ambient Temperature
Power Dissipation	PD	140	mW	Ta=25°C
Forward Current	IF	100	mA	Ta=25°C
Pulse Forward Current*	IFP	500	mA	Ta=25°C
Reverse Voltage	VR	3	V	Ta=25°C
Operating Temperature	TOPR	-30 ~ +80	°C	
Storage Temperature	TSTG	-40 ~ +100	°C	
Soldering Temperature**	TSOL	265	°C	

* Duty=1% and Pulse Width=10μs.

** Soldering condition must be completed within 3 second at 265 °C.

Electro-Optical Characteristics						
Item	Symbol	Condition	Minimum	Typical	Maximum	Unit
Forward Voltage	VF	IF=50mA		1.15	1.35	V
Reverse Current	IR	VR=5V			10	uA
Total Radiated Power*	PO	IF=50mA	4.0	8.0		mW
Radiant Intensity**	IE	IF=50mA		3.0		mW/sr
Peak Wavelength	λP	IF=50mA	1000	1050	1100	nm
Half Width	Δλ	IF=50mA		50		nm
Viewing Half Angle	θ1/2	IF=50mA		±70		Deg.
Rise Time	tr	IF=50mA		30		ns
Fall Time	tr	IF=50mA		20		ns

* Measured by HPK G8370-85

** Measured by Ando Optical Multi Meter AQ2140&AQ2742

