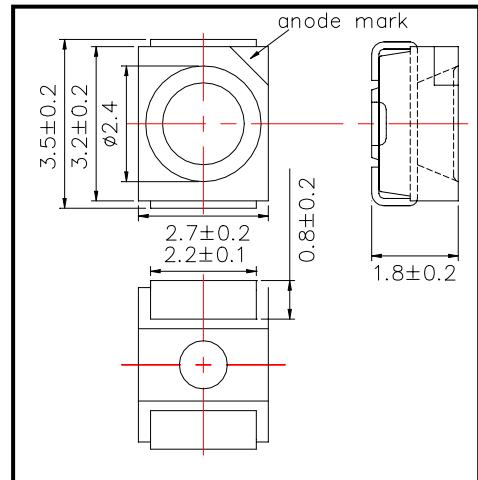


SMT670 High Performance Red color TOP LED

SMT670 consists of an AlGaAs LED mounted on the lead frame as TOP LED package and is 6mW of total radiated power. It emits a spectral band of radiation at 670nm.

◆ Outer dimension (Unit: mm)



◆ Specifications

- 1) Product Name TOP LED
- 2) Type No. SMT670
- 3) Chip
 - (1) Chip Material AlGaAs
 - (2) Peak Wavelength 670nm typ.
- 4) Package
 - (1) Lead Frame Die Silver Plated
 - (2) Package Resin PPA Resin
 - (3) Lens Epoxy Resin

◆ Absolute Maximum Ratings

Item	Symbol	Maximum Rated Value	Unit	Ambient Temperature
Power Dissipation	P _D	100	mW	T _a =25°C
Forward Current	I _F	50	mA	T _a =25°C
Reverse Voltage	V _R	5	V	T _a =25°C
Operating Temperature	T _{OPR}	-20 ~ +80	°C	
Storage Temperature	T _{STG}	-30 ~ +80	°C	
Soldering Temperature	T _{SOL}	240	°C	

‡Soldering condition: Soldering condition must be completed within 3 seconds at 230°C

◆ Electro-Optical Characteristics [T_a=25°C]

Item	Symbol	Condition	Minimum	Typical	Maximum	Unit
Forward Voltage	V _F	I _F =20mA		1.80	2.30	V
Reverse Current	I _R	V _R =5V			10	uA
Total Radiated Power	P _O	I _F =20mA		6		mW
Radiant Intensity	I _E	I _F =50mA		3		mW/sr
Peak Wavelength	λ _P	I _F =20mA	660	670	680	nm
Half Width	Δλ	I _F =20mA		20		nm
Viewing Half Angle	θ _{1/2}	I _F =20mA		±55		deg.

‡Total Radiated Power is measured by Photodyne #500

‡Brightness is measured by Tektronix J-16.