

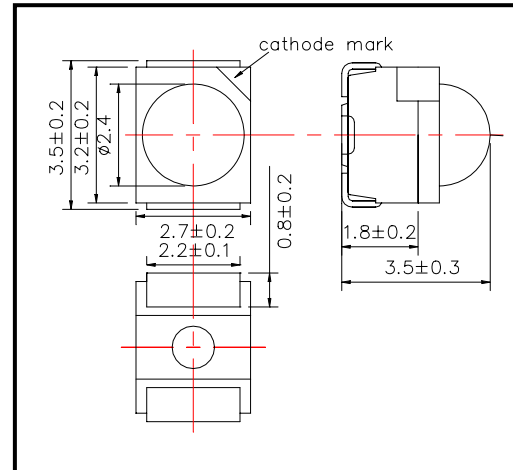
SMT630-55-24 High Performance Red Color TOP IR LED with Lens

SMT635-55-24 consists of an AlGaInP LED mounted on the lead frame as TOP LED package with plastic ball lens and is 1cd of brightness and 5mW/sr of radiant Intensity. It emits a spectral band of radiation at 635nm.

◆ Specifications

1) Product Name	TOP LED
2) Type No.	SMT630-55-24
3) Chip	
(1) Chip Material	AlGaInP
(2) Emitting area	550umx550um
(3) Peak Wavelength	635nm typ.
4) Package	
(1) Lead Frame Die	Silver Plated
(2) Package Resin	PPA Resin
(3) Lens	Epoxy and Styrene

◆ Outer dimension (Unit: mm)



◆ Absolute Maximum Rating

Item	Symbol	Maximum Rated Value	Unit	Ambient Temperature
Power Dissipation	PD	200	mW	Ta=25°C
Forward Current	IF	100	mA	Ta=25°C
Pulse Forward Current	IFP	500	mA	Ta=25°C
Reverse Voltage	VR	5	V	Ta=25°C
Operating Temperature	TOPR	-20 ~ +80	°C	
Storage Temperature	TSTG	-30 ~ +80	°C	
Soldering Temperature	TSOL	240	°C	

‡Pulse Forward Current condition: Duty=1% and Pulse Width=10us.

‡Soldering condition: Soldering condition must be completed within 3 seconds at 230°C

◆ Electro-Optical Characteristics [Ta=25°C]

Item	Symbol	Condition	Minimum	Typical	Maximum	Unit
Forward Voltage	VF	IF=50mA		1.9	2.2	V
Reverse Current	IR	VR=5V			10	uA
Total Radiated Power	PO	IF=50mA	3	5		mW
Radiant Intensity	IE	IF=50mA	3	5		mW/sr
Brightness	IV	IF=50mA	600	1000		mcd
Peak Wavelength	λP	IF=50mA	625	635	645	nm
Half Width	Δλ	IF=50mA		20		nm
Viewing Half Angle	θ 1/2	IF=50mA		±18		deg.
Rise Time	tr	IF=50mA		500		ns
Fall Time	tf	IF=50mA		100		ns

‡Total Radiated Power is measured by Photodyne #500

‡Radiant Intensity is measured by Tektronix J-6512.