

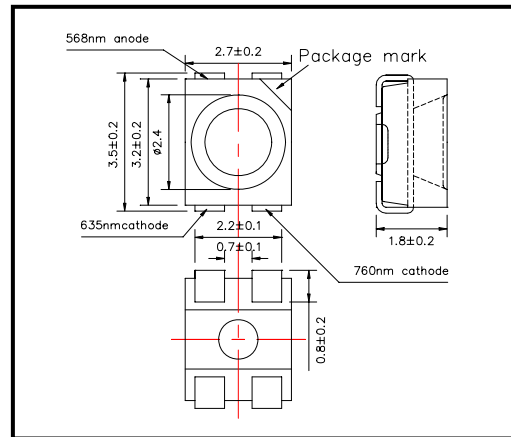
SMT568/635/760

SMT568/635/760 consists of an AlGaInP, AlGaAs LEDs mounted on the lead frame as TOP LED package and is sealed with epoxy resin.
It emits a spectral band of radiation at 568nm, 635nm and 760nm.

◆ Specifications

- | | |
|---------------------|---------------------|
| 1) Product Name | Tri-color TOP LED |
| 2) Type No. | SMT568/635/760 |
| 3) Chip | |
| (1) Chip Material | AlGaInP, AlGaAs |
| (2) Peak Wavelength | 568nm, 635nm, 760nm |
| 4) Package | |
| (1) Lead Frame Die | Silver Plated |
| (2) Package Resin | PPA Resin |
| (3) Lens | Epoxy Resin |

◆ Outer dimension (Unit:mm)



◆ Absolute Maximum Rating [Ta=25°C]

Item	Symbol	Maximum Rated Value			Unit
		568nm	635nm	760nm	
Power Dissipation	P _D	100			mW
Forward Current	I _F	50			mA
Reverse Voltage	V _R	5			V
Operating Temperature	T _{OPR}	-20 ~ +80			°C
Storage Temperature	T _{STG}	-30 ~ +80			°C
Soldering Temperature	T _{SOL}	240			°C

‡Soldering condition: Soldering condition must be completed within 3 seconds at 230°C

◆ Electro-Optical Characteristics [Ta=25°C]

Item	Symbol	Condition	Minimum			Typical			Maximum			Unit
			568	635	760	568	635	760	568	635	760	
Forward Voltage	V _F	I _F =20mA				2.0	3.5	2.0	2.3	4.3	2.3	V
Reverse Current	I _R	V _R =5V							10			uA
Total Radiated Power	P _O	I _F =20mA				0.2	0.6	7.0				mW
Radiant Intensity	I _E	I _F =20mA										mW/sr
Peak Wavelength	λ _P	I _F =20mA	560	632	750	565	635	760	575	638	770	nm
Half Width	Δλ	I _F =20mA				15	20	30				nm
Viewing Half Angle	θ _{1/2}	I _F =20mA				±55						deg.

‡Total Radiated Power is measured by Photodyne #500

‡Radiant Intensity is measured by Tektronix J-6512.